

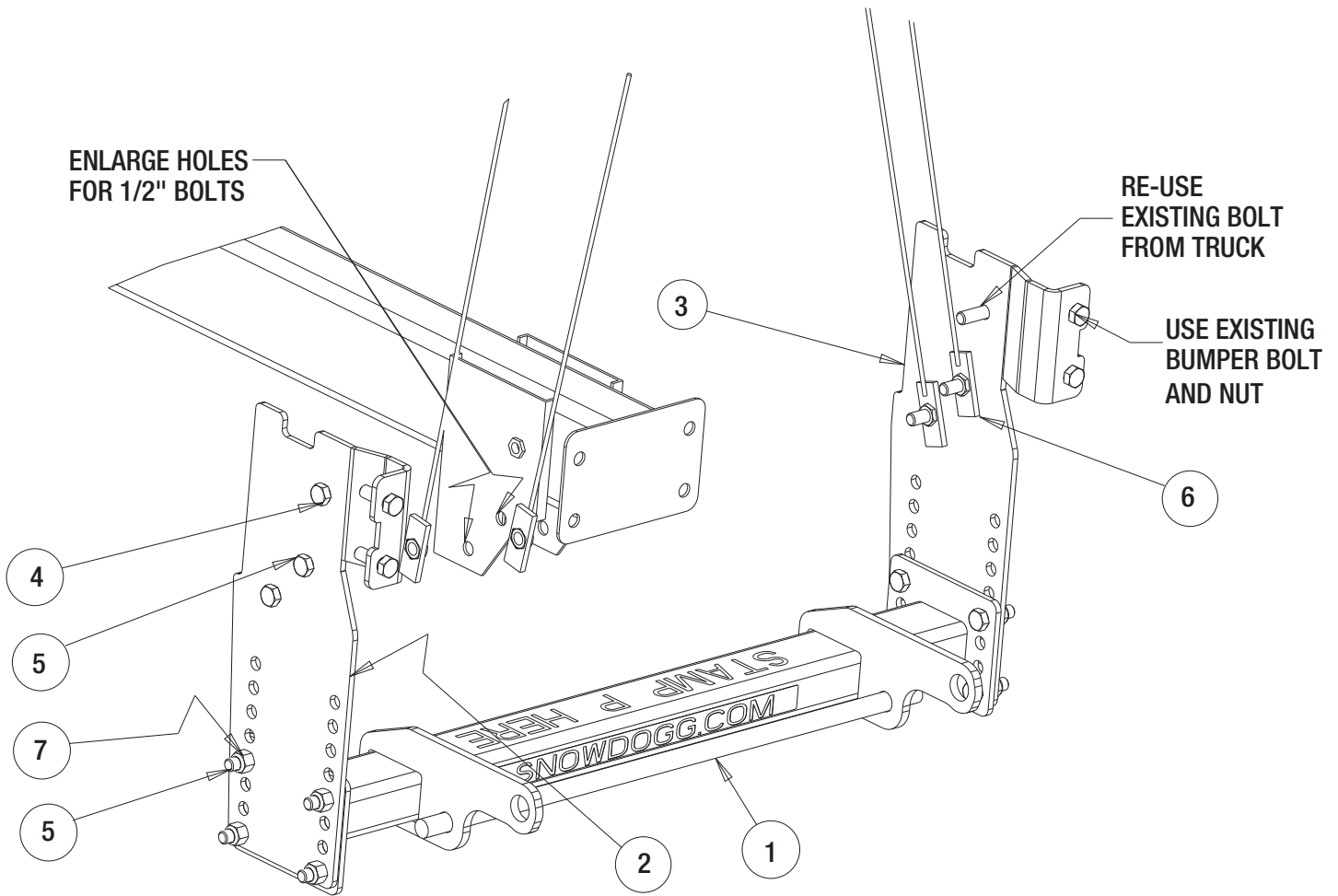
# MD MOUNT KIT 16064315

JEEP WRANGLER 18+ JL MODEL  
NO '18 OLDER JK MODEL



**SnowDogg®  
Snowplows**

TRUCK MOUNT  
INSTALLATION MANUAL

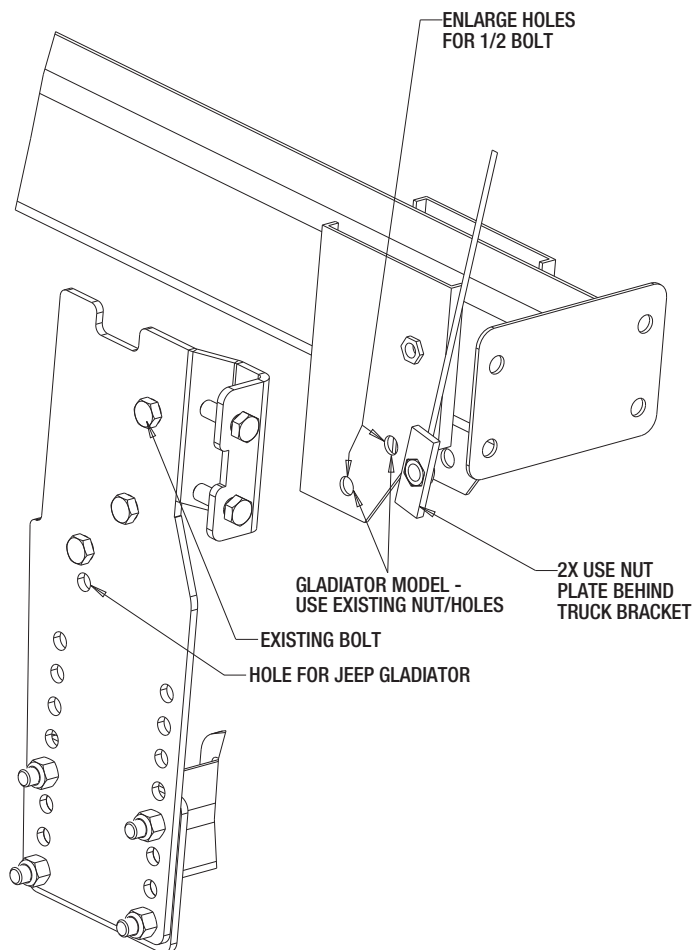


## Bill of Materials

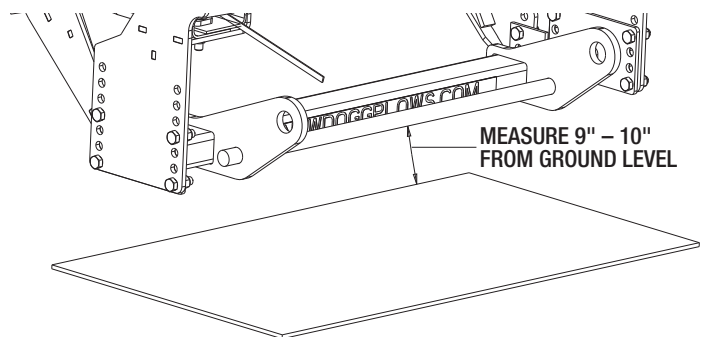
ITEM	PART NO.	QTY.	DESCRIPTION
1	16065207	1	PUSH BAR, MNT TACOMA 05+/WRANGLER 07+
2	3048618	1	SIDEPLATE, WRANGLER 18+, PS
3	3048619	1	SIDEPLATE, WRANGLER 18+, DS
4	-	6	EXISTING BOLT
5	3006202	12	SCREW, HEX HD - 1/2-13 X 1-1/2 GR 8 ZC
6	16061121	4	NUT-PLATE, W/ HANDLE WELDMENT
7	3002397	8	LOCKNUT, HEX NYLOCK, 1/2-13 ZN, G8

## Instructions




1. It is not necessary to remove the bumper for this installation. Remove the outer bracket flange from the bumper bolts. These 2 brackets will not be needed.
2. Hold the PS Sideplate (2) up against the PS frame of the truck, aligning it to the two frontal holes of the Truck's Frontal Flange. The two Bumper bolts will hold this bracket. Secure the bracket with the existing metric nut from the bumper.
3. Look below the upper bolts installed earlier matching the two holes on the Sideplate. Drill or enlarge two existing holes for the 1/2" bolts. Secure the two holes with the 1/2" bolts (5) and two nut plates (6).



4. Repeat step 2 and 3 for the DS Sideplate (3) installation.
5. Install the Pushbar between the two Sideplates using eight 1/2-13x1.5" screws (5) and eight nuts (7). The center line of the push bar Cross Pin should be approximately 9" to 10" from the level ground. It may be necessary to notch the bumper to clear room for the pushbar height adjustment.



6. Torque all fasteners as shown in the chart. Check and re-torque all fasteners after 5 hours of usage to ensure safe plow operation. Ensure all coolant lines and wires are clear from moving or hot components.

<b>Recommended Fastener Torque Chart (ft.-lb.)</b>			
Size	 SAE Grade 2	 SAE Grade 5	 SAE Grade 8
1/4-20	6	9	13
5/16-18	11	18	28
3/8-16	19	31	46
3/8-24	24	46	68
7/16-14	30	50	75
1/2-13	45	75	115
9/16-12	66	110	165
5/8-11	93	150	225
3/4-10	150	250	370
7/8-9	150	378	591
1-8	220	583	893

<b>Metric Grade 8.8 (ft.-lb.)</b>			
Size	Torque	Size	Torque
M6	7	M12	60
M8	17	M14	95
M10	35	M16	155

These torque values apply to fasteners except those noted in the instruction.

**WARNING**

- DO NOT under any circumstances disable, remove or relocate any sensors or components related to the operation of the air bags.
- Always follow the vehicle manufacturers' recommendations relating to snowplow installation.
- To comply with Federal Regulations and to assure a safe vehicle, the Front Gross Axle Weight Rating (FGAWR), Rear Gross Axle Weight Rating (RGAWR), and the Gross Vehicle Weight Rating (GAWR) must not be exceeded at any time.
- Due to the variety of equipment that can be installed on this vehicle, it is necessary to verify that the Front Gross Axle Weight Rating (FGAWR), Rear Gross Axle Weight Rating (RGAWR), and the Gross Vehicle Weight Rating (GAWR) are not exceeded at any time. This may require weighing the vehicle and adding ballast as necessary. It may also limit payload capacity of the vehicle. It is the operator's responsibility to verify that these ratings are not exceeded.

**CAUTION**

- Read all instructions prior to assembly
- It is critical that all fasteners be properly torqued for safe plow operation – see chart above.
- Fasteners should be retorqued after 5-8 hours of plow use

**FULL TWO-YEAR WARRANTY**

Manufacturer will repair, or at manufacturer's discretion will replace any part of this snowplow which proves to be defective in workmanship or material under normal use for a period of two year from the date of delivery to the original purchaser. Any cost incurred in returning the product to the supplier is the responsibility of the consumer.

**EXCLUSIONS**

Manufacturer shall not be liable for special, incidental, or consequential damages, or for damages resulting from lack of necessary maintenance, from misuse, abuse, acts of God, or alteration of the product. Some states do not allow the exclusion or limitation of inci-dental or consequential damages, so the above limita-tion or exclusion may not apply to you.