

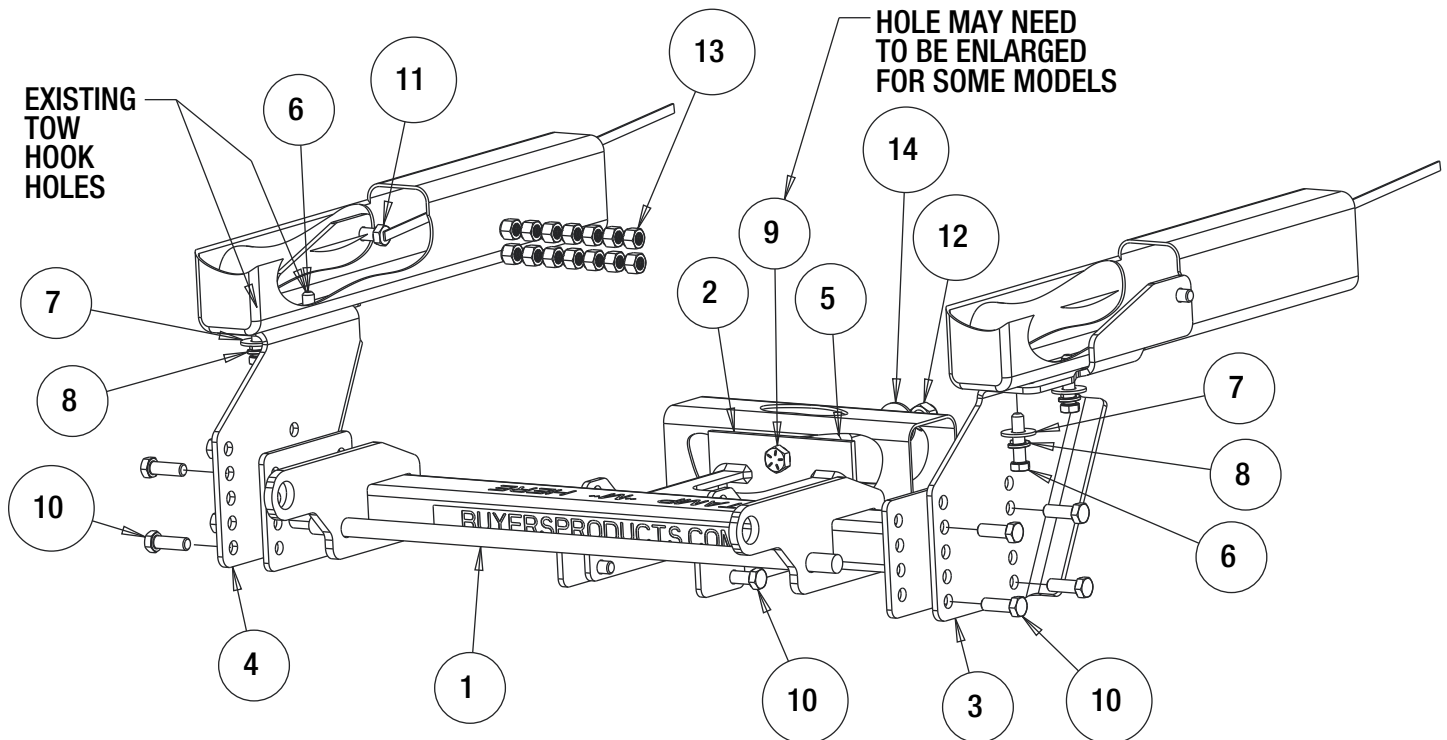
# MD MOUNT KIT 16066105A

NISSAN FRONTIER,  
PATHFINDER, '05-'22



**SnowDogg**<sup>®</sup>  
by **Buyers**

## SNOW PLOW TRUCK MOUNT INSTALLATION MANUAL






## Parts List

ITEM	PART NO.	QTY.	DESCRIPTION
1	16066111	1	Pushbar
2	16066113A	1	Bracket, Mid Support
3	16066107A	1	Plate, Side DS
4	16066109A	1	Plate, Side PS
5	3012976	1	Spacer, Round Insert
6	3012986	4	Screw M12-1.25 x 50 MM HH Class 10.9 ZN
7	-	4	Washer, Flat, .500 x 1.38 x .14, ZN
8	-	4	Lockwasher 1/2"
9	3004385	1	Screw, HH Cap, 5/8-11 x 4.5 Gr. 8 ZN Spcl
10	3006202	12	Screw, Hex HD - 1/2-13 x 1-1/2 Gr. 8 ZN
11	16801004	2	Screw, Hex HD, 1/2-13 x 1-1/2 Gr. 5 w/HDL
12	3001247	1	Nut, Hex Nylock 5/8-11 SST
13	3002397	14	Locknut, Hex 1/2-13, Gr. 8 ZN
14	3000144	1	Washer, FL-5/8 USS ZN

## INSTRUCTIONS

- 1.** Remove the skid plate and air dam. Set aside for later reinstallation (may require modification). It is not necessary to remove the bumper.
- 2.** Remove the tow hooks (if vehicle is so equipped).
- 3.** Hold the PS Bracket up against the passenger side frame rail, aligning with the existing tow hook holes in the bottom. Secure the bracket with two M12-1.25 x 50mm Hex Head Cap Screws (6), 1/2" Lock Washers (7) and 1/2" Flat Washers (8).
- 4.** Using the Bracket as a template, drill two  $\text{Ø}.531$  holes. Secure the Bracket using one 1/2-13x1-1/2 Hex Head Cap Screw with Handle (11) and a 1/2" Locknut (13).
- 5.** Repeat steps 2-3 for the DS Bracket.
- 6.** Mount the Pushbar (1) in place between the two side plates using eight 1/2-13x1-1/2 Hex Head Cap Screws and Locknuts. The centerline of the pushbar crosspin should be approximately 9" to 10" from the ground. Improper mounting height will result in uneven cutting edge wear. **For best performance, the A-frame should be parallel to the ground when the plow is mounted on the vehicle.**
- 7.** Install the Mid Support Bracket (2) to the vehicle cross member beam using one 5/8-11x4-1/2 bolt (9), Round Spacer (5) and Flat Washer (14) as shown.
- 8.** Secure the Mid Support bracket to the Pushbar using four 1/2-13x1-1/2 Socket Head Cap Screws (10) and Locknuts (13).
- 9.** Torque all fasteners as shown in the chart. Check and re-torque all fasteners after 5 hours of usage to ensure safe plow operation.
- 10.** It may be helpful to route the plow and light control harnesses at this point, prior to bumper/air dam reinstallation.
- 11.** Reinstall the bumper (if removed), air dam and skid plate. The air dam and skid plate may need to be altered or omitted for reinstallation.

<b>Recommended Fastener Torque Chart (ft.-lb.)</b>			
Size	 SAE Grade 2	 SAE Grade 5	 SAE Grade 8
1/4-20	6	9	13
5/16-18	11	18	28
3/8-16	19	31	46
3/8-24	24	46	68
7/16-14	30	50	75
1/2-13	45	75	115
9/16-12	66	110	165
5/8-11	93	150	225
3/4-10	150	250	370
7/8-9	150	378	591
1-8	220	583	893

<b>Metric Grade 8.8 (ft.-lb.)</b>			
Size	Torque	Size	Torque
M6	7	M12	60
M8	17	M14	95
M10	35	M16	155

These torque values apply to fasteners except those noted in the instruction.

### WARNING

- DO NOT under any circumstances disable, remove or relocate any sensors or components related to the operation of the air bags.
- Always follow the vehicle manufacturers' recommendations relating to snowplow installation.
- To comply with Federal Regulations and to assure a safe vehicle, the Front Gross Axle Weight Rating (FGAWR), Rear Gross Axle Weight Rating (RGAWR), and the Gross Vehicle Weight Rating (GAWR) must not be exceeded at any time.
- Due to the variety of equipment that can be installed on this vehicle, it is necessary to verify that the Front Gross Axle Weight Rating (FGAWR), Rear Gross Axle Weight Rating (RGAWR), and the Gross Vehicle Weight Rating (GAWR) are not exceeded at any time. This may require weighing the vehicle and adding ballast as necessary. It may also limit payload capacity of the vehicle. It is the operator's responsibility to verify that these ratings are not exceeded.

### CAUTION

- Read all instructions prior to assembly
- It is critical that all fasteners be properly torqued for safe plow operation – see chart above.
- Fasteners should be retorqued after 5-8 hours of plow use

### FULL TWO-YEAR WARRANTY

Manufacturer will repair, or at manufacturer's discretion will replace any part of this snowplow which proves to be defective in workmanship or material under normal use for a period of two year from the date of delivery to the original purchaser. Any cost incurred in returning the product to the supplier is the responsibility of the consumer.

### EXCLUSIONS

Manufacturer shall not be liable for special, incidental, or consequential damages, or for damages resulting from lack of necessary maintenance, from misuse, abuse, acts of God, or alteration of the product. Some states do not allow the exclusion or limitation of incidental or consequential damages, so the above limitation or exclusion may not apply to you.