

MD MOUNT KIT

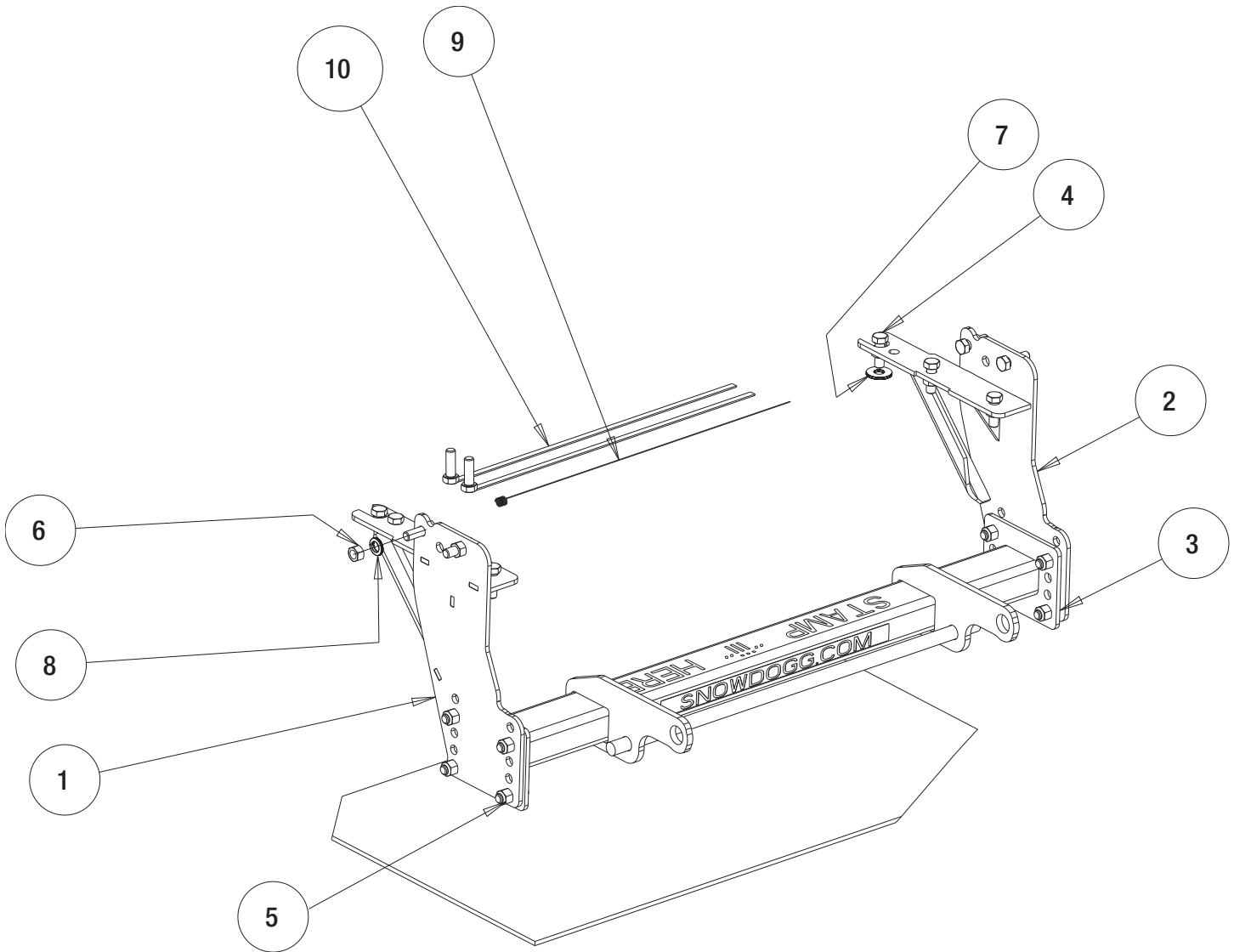
16066135

NISSAN TITAN PRO, '16+



SnowDogg® Snowplow

TRUCK MOUNT INSTALLATION MANUAL

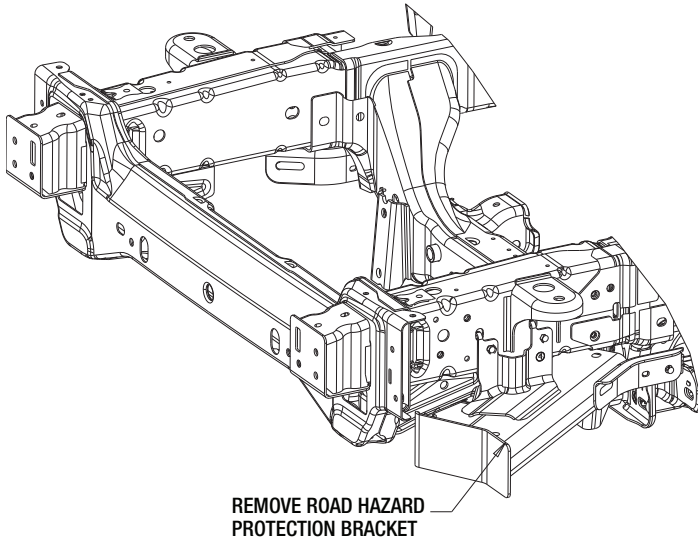


Parts List

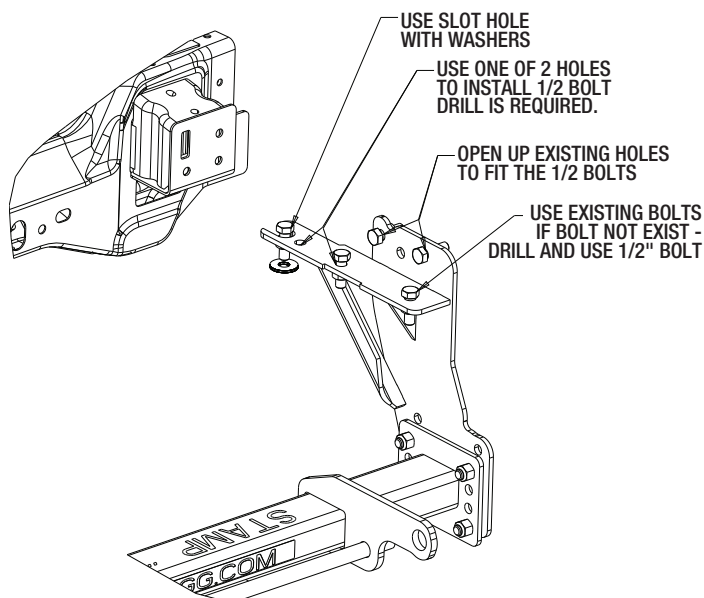
ITEM	PART NO.	QTY.	DESCRIPTION
1	16066136	1	SIDEPLATE, PS, TITAN 16+, WELD
2	16066137	1	SIDEPLATE, DS, TITAN 16+, WELD
3	16066138	1	PUSH BAR, TITAN PRO, 2016
4	3006202	18	SCREW, HEX HD - 1/2-13 X 1-1/2 GR 8 ZC
5	3002397	8	LOCKNUT, HEX NYLOCK, 1/2-13 ZN, G8
6	3006201	10	NUT, 1/2-13 HEX GR. 8 ZP
7	FWF050138014	10	WASHER, FLAT, 1/2" USS, ZN
8	FWL050088013	10	WASHER, LOCK - 1/2 SPLIT ZN
9	3002169	1	WIRE, FISH
10	16801004	2	SCREW, HEX HD, 1/2-13x1-1/2 GR 5 W/HDL

INSTRUCTIONS

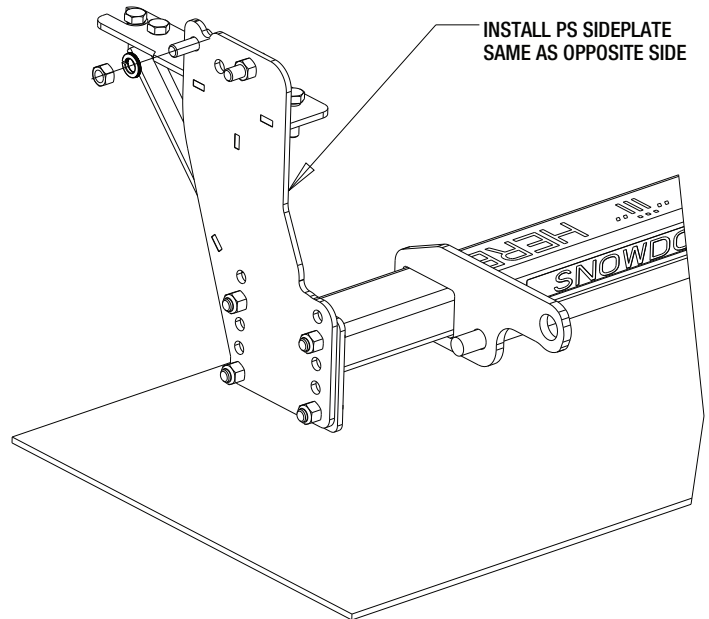
1. It is recommended to remove the bumper and bumper fasteners for this vehicle style. Set aside for later reinstallation. Remove the tow hook bracket.
2. Remove the Hazardous Protector bracket away from the driver side of the truck. This will not be used when plow mount-kit is installed onto the vehicle.



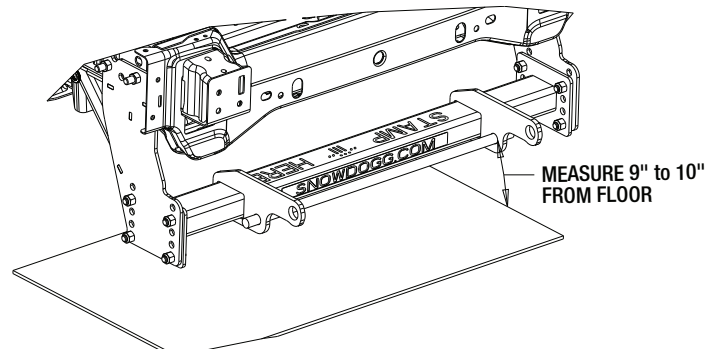
3. On the DS, install the driver side Side Plate bracket (2) onto the frame of the truck. Align the holes of the brackets to the existing holes of the truck frame and secure it with the front-existing bolt from the frame. Two smaller holes on the side must be opened up in order to utilize the 1/2" bolts. Drill one of 2 holes near the slot and install the 1/2" fasteners as shown. In order to insert 1/2" fasteners, a fish wire (9) can be used to get through a near-by holes. Holes may have to be opened up bigger to clear the hex-head. Optional Bolt stick (10) can also be used as necessary. Use one lock washer (8) and washer (7) for every nut (6) used on frame.






4. Repeat on the opposite side for installation of the other PS Sideplate Bracket (1).



5. Assemble the Pushbar (3) between two Side Plates using eight 1/2" x 1.5" bolts provided. Adjust the Push Bar up and down. The center line of the push bar Cross Pin should be approximately 9" to 10" from the level ground. The plastic extension from the bumper/air deflector may need to be removed or modified.



6. Torque all fasteners as shown in the chart. Check and re-torque all fasteners after 5 hours of usage to ensure safe plow operation. Ensure all coolant lines and wires are clear from moving and hot components.

Recommended Fastener Torque Chart (ft.-lb.)			
Size	 SAE Grade 2	 SAE Grade 5	 SAE Grade 8
1/4-20	6	9	13
5/16-18	11	18	28
3/8-16	19	31	46
3/8-24	24	46	68
7/16-14	30	50	75
1/2-13	45	75	115
9/16-12	66	110	165
5/8-11	93	150	225
3/4-10	150	250	370
7/8-9	150	378	591
1-8	220	583	893
Metric Grade 8.8 (ft.-lb.)			
Size	Torque	Size	Torque
M6	7	M12	60
M8	17	M14	95
M10	35	M16	155
These torque values apply to fasteners except those noted in the instruction.			

WARNING

- DO NOT under any circumstances disable, remove or relocate any sensors or components related to the operation of the air bags.
- Always follow the vehicle manufacturers' recommendations relating to snowplow installation.
- To comply with Federal Regulations and to assure a safe vehicle, the Front Gross Axle Weight Rating (FGAWR), Rear Gross Axle Weight Rating (RGAWR), and the Gross Vehicle Weight Rating (GAWR) must not be exceeded at any time.
- Due to the variety of equipment that can be installed on this vehicle, it is necessary to verify that the Front Gross Axle Weight Rating (FGAWR), Rear Gross Axle Weight Rating (RGAWR), and the Gross Vehicle Weight Rating (GAWR) are not exceeded at any time. This may require weighing the vehicle and adding ballast as necessary. It may also limit payload capacity of the vehicle. It is the operator's responsibility to verify that these ratings are not exceeded.

CAUTION

- Read all instructions prior to assembly
- It is critical that all fasteners be properly torqued for safe plow operation – see chart above.
- Fasteners should be retorqued after 5-8 hours of plow use

FULL TWO-YEAR WARRANTY

Manufacturer will repair, or at manufacturer's discretion will replace any part of this snowplow which proves to be defective in workmanship or material under normal use for a period of one year from the date of delivery to the original purchaser. Any cost incurred in returning the product to the supplier is the responsibility of the consumer.

EXCLUSIONS

Manufacturer shall not be liable for special, incidental, or consequential damages, or for damages resulting from lack of necessary maintenance, from misuse, abuse, acts of God, or alteration of the product. Some states do not allow the exclusion or limitation of incidental or consequential damages, so the above limitation or exclusion may not apply to you.