

# **MOUNT KIT**

# **16067500**

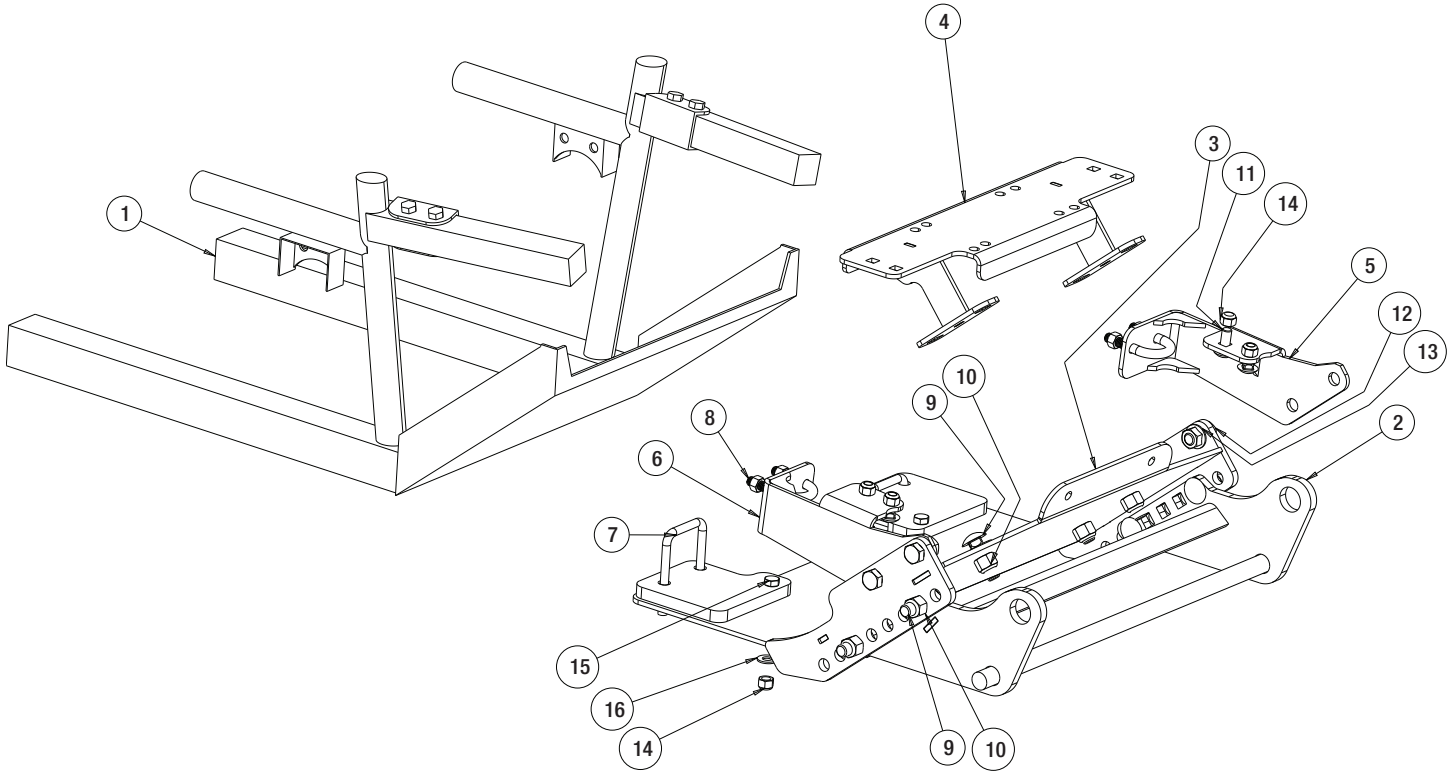
## 2015+ HONDA PIONEER 700



# **SnowDogg® Snowplow**

# **TRUCK MOUNT**

# INSTALLATION MANUAL

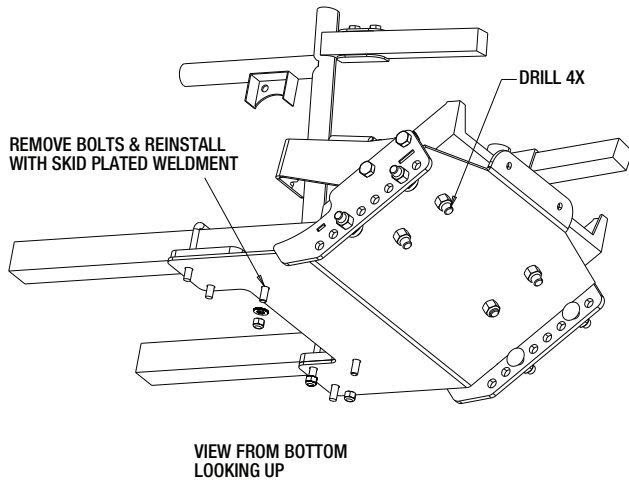


**Parts List**

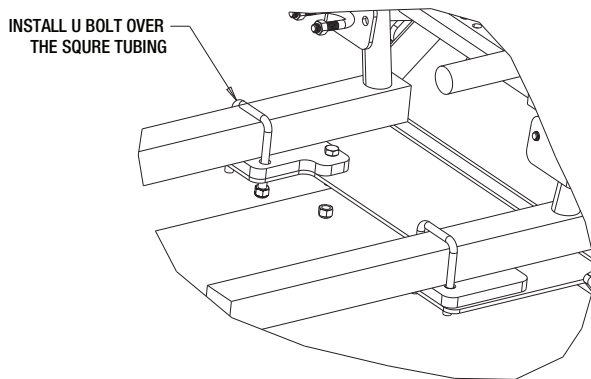
ITEM	PART NO.	QTY.	DESCRIPTION
1	16067500FRAME	1	VEHICLE, FRAME
2	16067501	1	PUSHBAR, HONDA PIONEER
3	16067502	1	SKID PLATE, WELD
4	16067503	1	CENTER SECTION, 2 FEET
5	16067504	1	SIDE BRACKET, DS, WELD
6	16067506	1	SIDE BRACKET, PS, WELD
7	3038079	2	U-BOLT, SQUARE
8	3038098	2	U-BOLT, 3/8 IN THREAD, STD 1 1/4 PIPE
9	3029357	8	BOLT, CARRIAGE 1/2-13 X 1.75 GR8 ZN
10	3002397	8	LOCKNUT, HEX NYLOCK, 1/2-13 ZN, G8
11	FCB037516100	4	BOLT, 3/8-16 X 1 CARRIAGE
12	FCS050013100	4	SCREW, HHC-1/2-13 X 1 GR 5 ZN
13	3029359	4	NUT, HX FLNG-1/2-13 ZN G8
14	FNE038016044	14	NUT, NYLOCK 3/8-16 X 7/16 ZINC
15	FCS038016150	2	SCREW, HX HD CAP 3/8-16 X 1-1/2 G5 ZN
16	FWF038081006	14	WASHER, FLAT 3/8 SAE ZINC

## INSTRUCTIONS

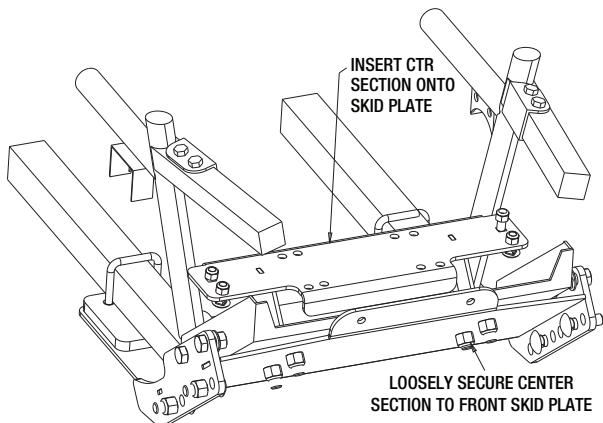
1. Remove two bolts from the bottom of the skid-plate. Place the Skidplate weldment (3) over the bottom of the frame and covering the vehicle's front skid plate.



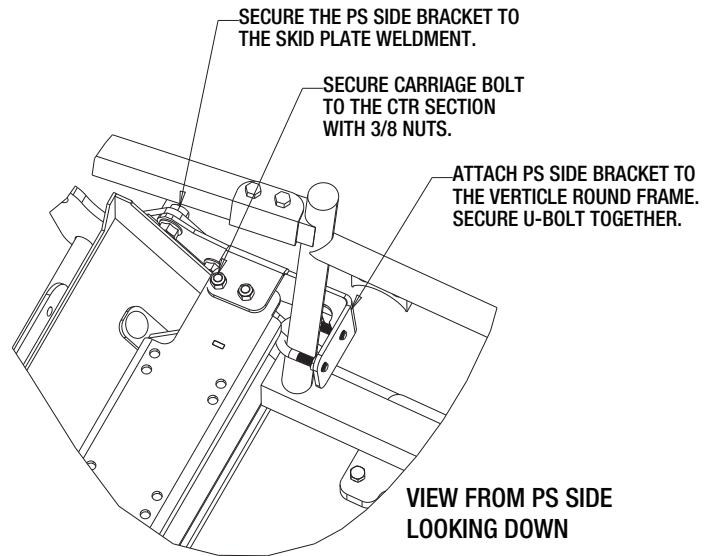
2. Secure the Skid Plate onto the frame with the provided bolts, nuts, & washers (14, 15, 16). Install the two square u-bolts over the square tubing. Secure them with nuts and washers (14, 16).



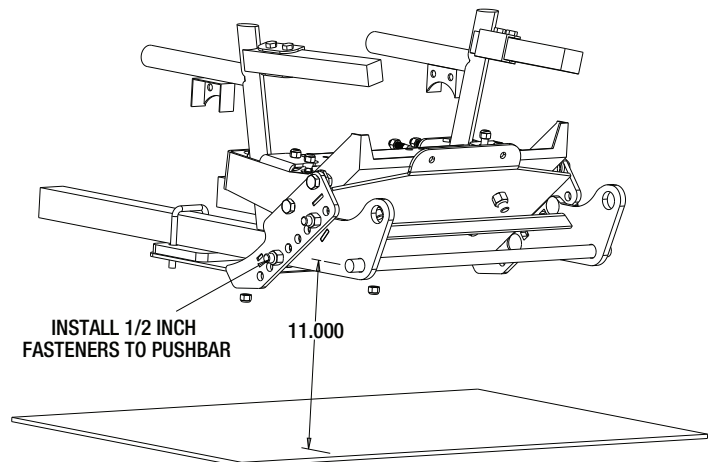
3. Insert the Center Section (4) onto the vehicle skid plate. Secure the Skid Plate Weldment (3) to the Center Section with the 1/2" fasteners (9, 10).






4. Attach the PS Side Bracket (6) to the Ctr Section (4) and secure them with 3/8 fasteners (9, 10). Secure the U-bolt (8) to the round verticle frame with 3/8 nuts (14). Secure the PS Side bracket (6) to the Skid Plate (3) with 1/2" fasteners (12, 13).



5. Repeat step #4 for the Driver Side Bracket (5).  
6. Attach the Pushbar bracket (2) to the Skid Plate (3) and adjust it to a desired height of about 11 inches from the floor. Secure with four carriage bolts (9) and four nuts (10).



7. Torque all fasteners as shown in the chart. Check and re-torque all fasteners after 5 hours of usage to ensure safe plow operation.  
8. It may be helpful to route the plow and light control harnesses at this point.

<b>Recommended Fastener Torque Chart (ft.-lb.)</b>			
Size	 SAE Grade 2	 SAE Grade 5	 SAE Grade 8
1/4-20	6	9	13
5/16-18	11	18	28
3/8-16	19	31	46
3/8-24	24	46	68
7/16-14	30	50	75
1/2-13	45	75	115
9/16-12	66	110	165
5/8-11	93	150	225
3/4-10	150	250	370
7/8-9	150	378	591
1-8	220	583	893
<b>Metric Grade 8.8 (ft.-lb.)</b>			
Size	Torque	Size	Torque
M6	7	M12	60
M8	17	M14	95
M10	35	M16	155
These torque values apply to fasteners except those noted in the instruction.			

### **WARNING**

- DO NOT under any circumstances disable, remove or relocate any sensors or components related to the operation of the air bags.
- Always follow the vehicle manufacturers' recommendations relating to snowplow installation.
- To comply with Federal Regulations and to assure a safe vehicle, the Front Gross Axle Weight Rating (FGAWR), Rear Gross Axle Weight Rating (RGAWR), and the Gross Vehicle Weight Rating (GAWR) must not be exceeded at any time.
- Due to the variety of equipment that can be installed on this vehicle, it is necessary to verify that the Front Gross Axle Weight Rating (FGAWR), Rear Gross Axle Weight Rating (RGAWR), and the Gross Vehicle Weight Rating (GAWR) are not exceeded at any time. This may require weighing the vehicle and adding ballast as necessary. It may also limit payload capacity of the vehicle. It is the operator's responsibility to verify that these ratings are not exceeded.

### **CAUTION**

- Read all instructions prior to assembly
- It is critical that all fasteners be properly torqued for safe plow operation – see chart above.
- Fasteners should be retorqued after 5-8 hours of plow use

### **FULL ONE-YEAR WARRANTY**

Manufacturer will repair, or at manufacturer's discretion will replace any part of this snowplow which proves to be defective in workmanship or material under normal use for a period of one year from the date of delivery to the original purchaser. Any cost incurred in returning the product to the supplier is the responsibility of the consumer.

### **EXCLUSIONS**

Manufacturer shall not be liable for special, incidental, or consequential damages, or for damages resulting from lack of necessary maintenance, from misuse, abuse, acts of God, or alteration of the product. Some states do not allow the exclusion or limitation of incidental or consequential damages, so the above limitation or exclusion may not apply to you.