

MOUNT KIT

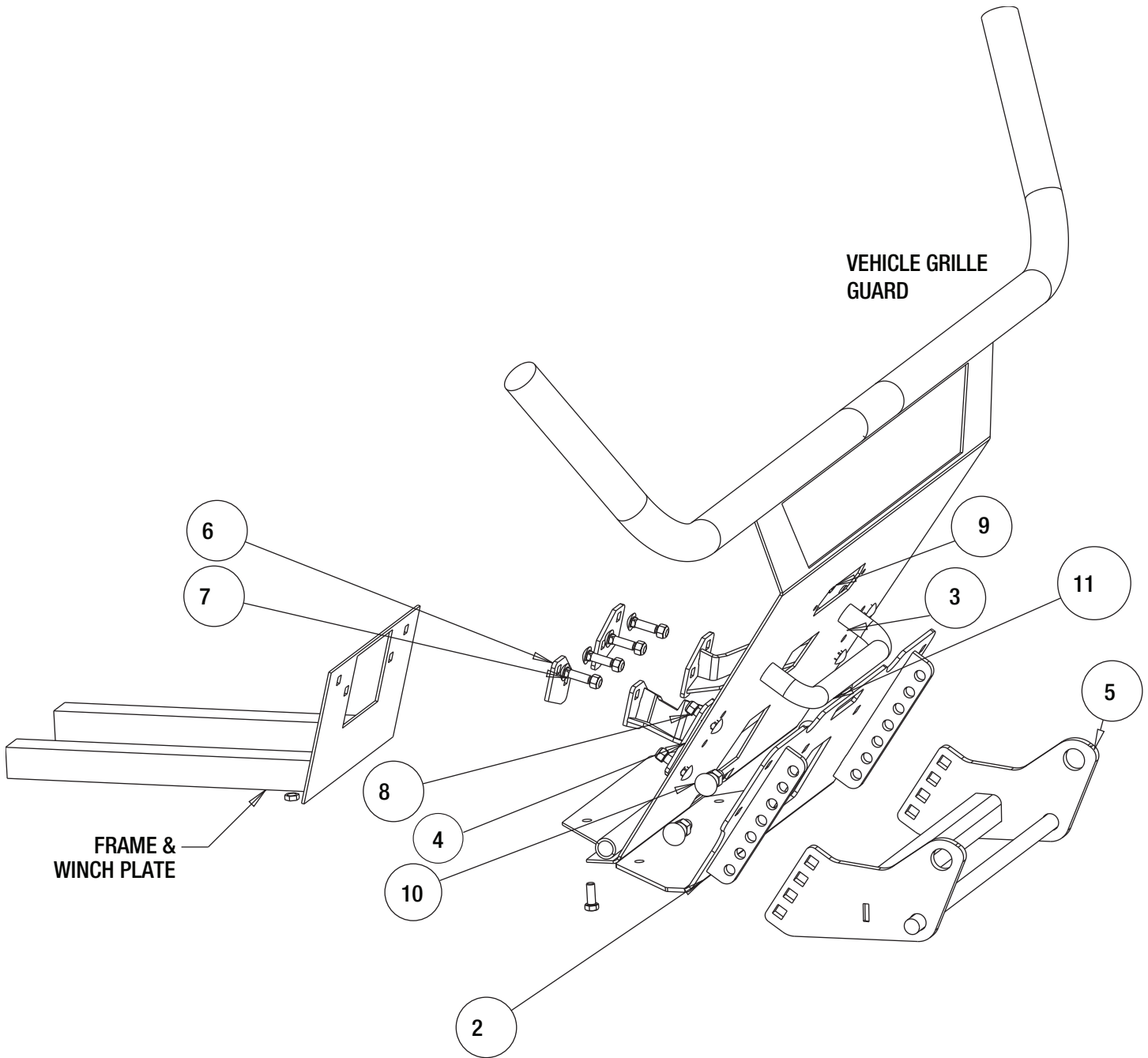
16067730A

POLARIS RANGER 1000
2018+



SnowDogg[®]
by **Buyers**

SNOW PLOW TRUCK MOUNT INSTALLATION MANUAL



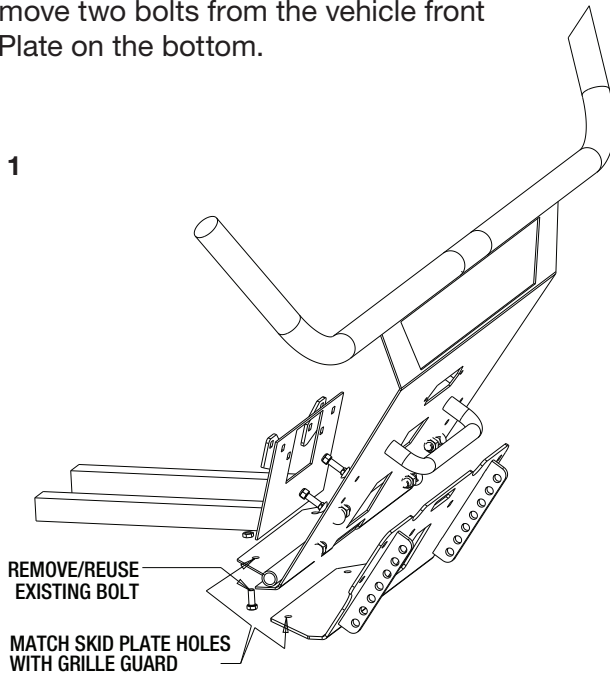
Parts List

ITEM	PART NO.	QTY.	DESCRIPTION
2	16067731	1	PLATE, SKID PLATE, RANGER1000, FRONT
3	16067733	1	CONNECTOR, WELD, DS
4	16067732	1	CONNECTOR, WELD, PS
5	16067734	1	PUSHBAR, RANGER 18+
6	3043822	2	SPACER, ATTACHMENT FRONT
7	FCB038016125	8	BOLT,CARRIAGE 3/8-16 X 1 1/4 GR5 ZN
8	FNE038016044	8	NUT, NYLOCK 3/8-16 X 7/16 ZINC
9	3015797	8	WASHER, FLAT, 3/8" SAE, ZY
10	3029357	4	BOLT, CARRIAGE 1/2-13 X 1.75 GR8 ZN
11	3002397	4	LOCKNUT, HEX NYLOCK, 1/2-13 ZN, G8

INSTRUCTIONS

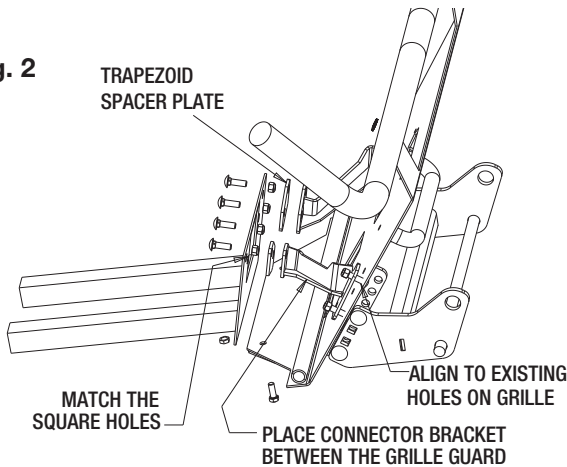
1. Remove two bolts from the vehicle front Skid Plate on the bottom.

Fig. 1



2. Position the Skid Plate bracket with the Front Bumper holes. Secure the Skid Plate bracket with vehicle-existing fasteners.

Fig. 2

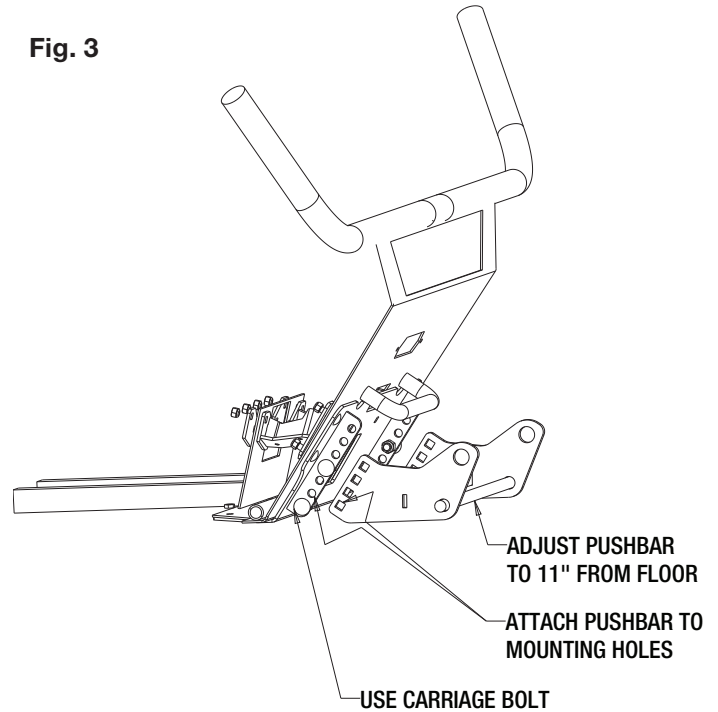


3. Align Passenger Side Connector bracket (3) onto the Skid Plate. Secure it with two carriage bolts (6) & and two lock nuts (7). Secure the back of the bracket with Two more carriage bolts and two more nuts - through the square holes. Use the Trapezoid spacer if the winch plate is not present.

4. Repeat step #2-3 for the Driver Side Connector Bracket (2).




5. Attach the Pushbar bracket to the Skid Plate and adjust it to a desired height of about 11 inches from the floor. Secure with four carriage bolts (9) and four nuts (10).

Fig. 3



6. Torque all fasteners as shown in the chart. Check and re-torque all fasteners after 5 hours of usage to ensure safe plow operation.

7. It may be helpful to route the plow and light control harnesses at this point, prior to bumper reinstallation.

Recommended Fastener Torque Chart (ft.-lb.)			
Size	 SAE Grade 2	 SAE Grade 5	 SAE Grade 8
1/4-20	6	9	13
5/16-18	11	18	28
3/8-16	19	31	46
3/8-24	24	46	68
7/16-14	30	50	75
1/2-13	45	75	115
9/16-12	66	110	165
5/8-11	93	150	225
3/4-10	150	250	370
7/8-9	150	378	591
1-8	220	583	893

Metric Grade 8.8 (ft.-lb.)			
Size	Torque	Size	Torque
M6	7	M12	60
M8	17	M14	95
M10	35	M16	155

These torque values apply to fasteners except those noted in the instruction.

WARNING

- DO NOT under any circumstances disable, remove or relocate any sensors or components related to the operation of the air bags.
- Always follow the vehicle manufacturers' recommendations relating to snowplow installation.
- To comply with Federal Regulations and to assure a safe vehicle, the Front Gross Axle Weight Rating (FGAWR), Rear Gross Axle Weight Rating (RGAWR), and the Gross Vehicle Weight Rating (GAWR) must not be exceeded at any time.
- Due to the variety of equipment that can be installed on this vehicle, it is necessary to verify that the Front Gross Axle Weight Rating (FGAWR), Rear Gross Axle Weight Rating (RGAWR), and the Gross Vehicle Weight Rating (GAWR) are not exceeded at any time. This may require weighing the vehicle and adding ballast as necessary. It may also limit payload capacity of the vehicle. It is the operator's responsibility to verify that these ratings are not exceeded.

CAUTION

- Read all instructions prior to assembly
- It is critical that all fasteners be properly torqued for safe plow operation – see chart above.
- Fasteners should be retorqued after 5-8 hours of plow use

FULL ONE-YEAR WARRANTY

Manufacturer will repair, or at manufacturer's discretion will replace any part of this snowplow which proves to be defective in workmanship or material under normal use for a period of one year from the date of delivery to the original purchaser. Any cost incurred in returning the product to the supplier is the responsibility of the consumer.

EXCLUSIONS

Manufacturer shall not be liable for special, incidental, or consequential damages, or for damages resulting from lack of necessary maintenance, from misuse, abuse, acts of God, or alteration of the product. Some states do not allow the exclusion or limitation of incidental or consequential damages, so the above limitation or exclusion may not apply to you.