

MOUNT KIT 16068100

2020-2023 CFMoto UForce 1000/1000XL



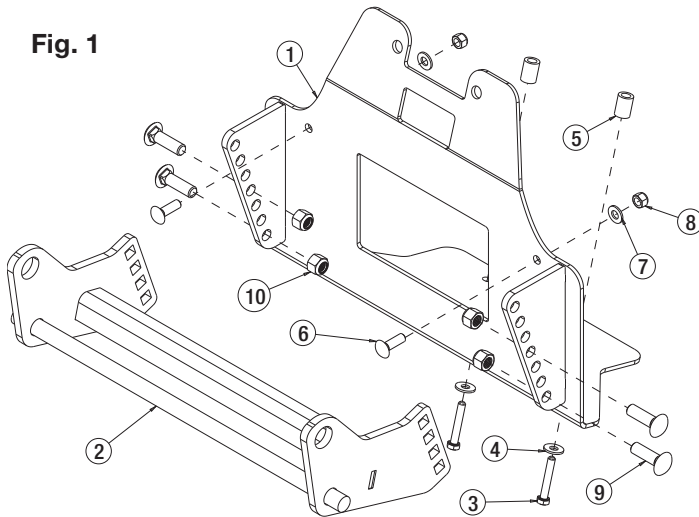
SnowDogg[®]
by **Buyers**

UTV MOUNT INSTALLATION MANUAL

INSTRUCTIONS

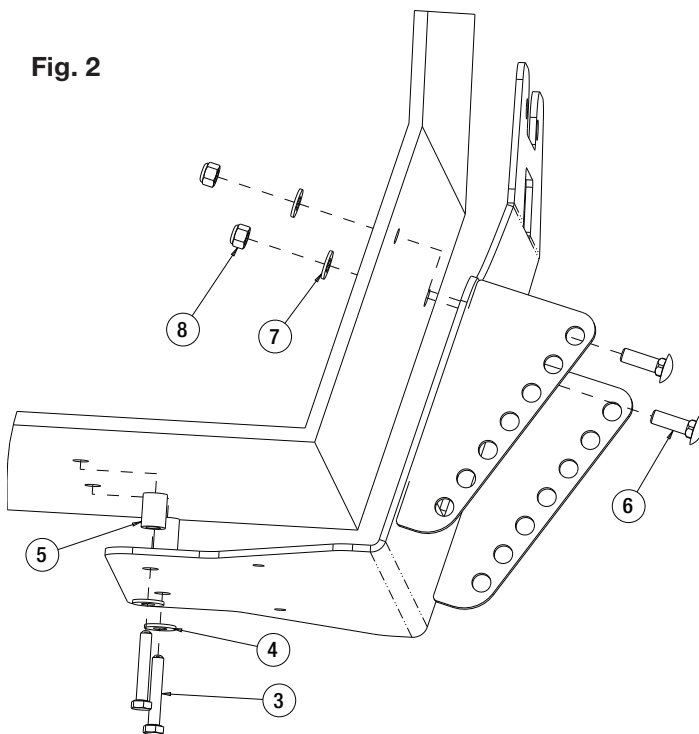
1. Remove vehicle brush guard
2. Remove front bolts for lower skid pan
3. Remove winch roller fairlead

Fig. 1



4. Using the two M8 screws (Item 3), two 5/16 flat washers (Item 4), and two spacers (Item 5). Secure the bottom of the mount to the UTV frame. See Figure 1.

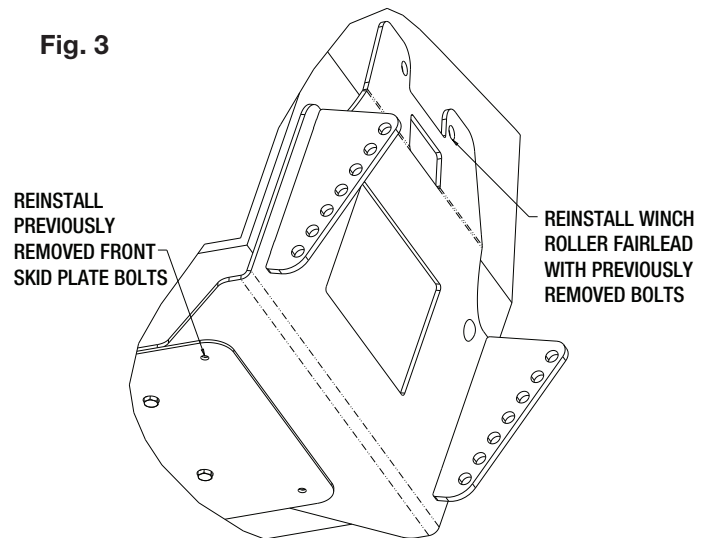
Fig. 2



5. Realign the roller fairlead over the top of the mount (Item 1). Re-attach the fairlead to secure it and the top of the mount.

6. Re-install the lower skid pan bolts.

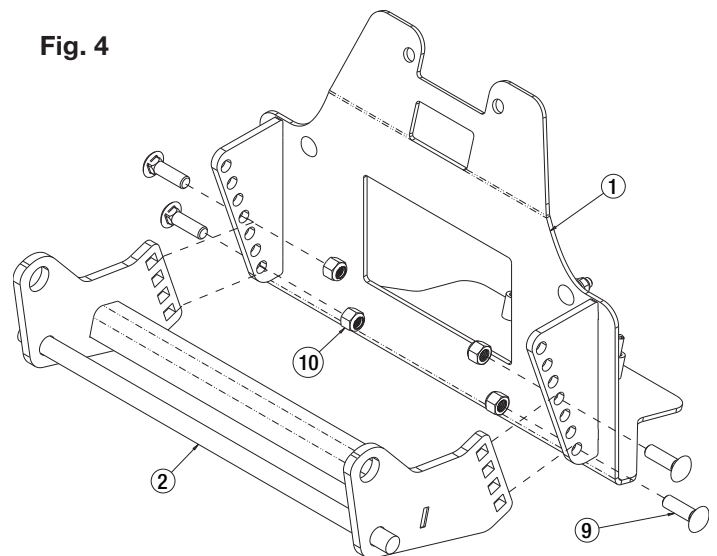
Fig. 3

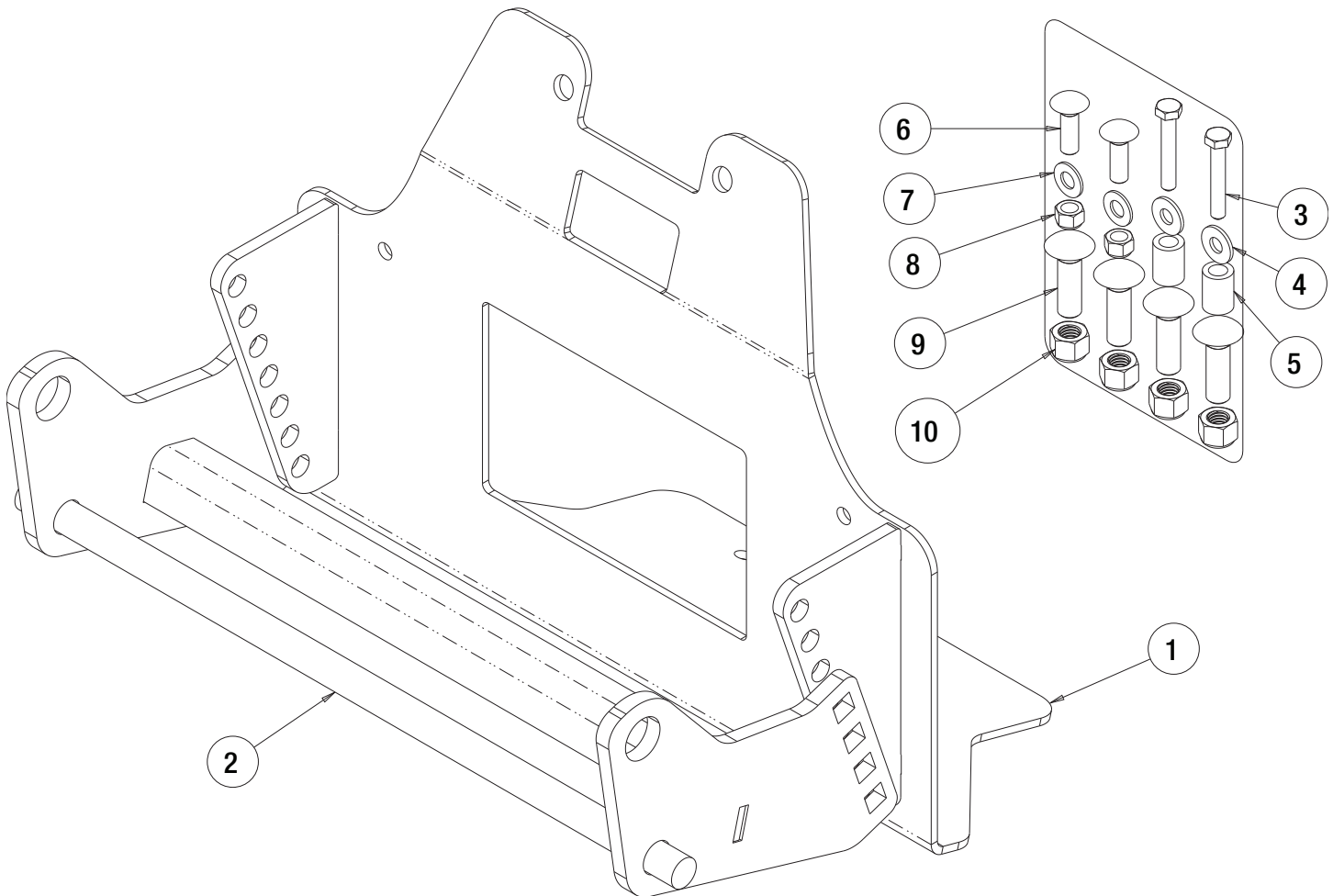


7. Using the remaining holes on the front of the mount (Item 1) as guides, drill through the UTV's front guard plate. Then using the two 3/8" carriage bolts (Item 6), two 3/8" washers (Item 7), and two lock nuts (Item 8) secure the middle of the mount. See Figure 1.

8. Using the four 1/2" carriage bolts (Item 9) and four 1/2" lock nuts (Item 10) attach the push bar (Item 2) to the mount




Fig. 4





Parts List

ITEM	PART NO.	QTY.	DESCRIPTION
1	3058764	1	PLATE, MAIN, CFMOTO 1000/1000XL, 2020-2023, WLDMT
2	16067222	1	PUSHBAR, BOBCAT 15+
3-10	16068100HDW	1	HDW KIT, CFMOTO 1000/1000XL 2020-2023
3	3058766	2	SCREW, HHC, M8-1.25X50, FULL THREAD, ZN
4	3000554	2	WASHER, 5/16 USS FLAT, ZN
5	3040305	2	TUBE, SPACER
6	FCB038016125	2	BOLT, CARRIAGE 3/8-16 X 1 1/4 GR5 ZN
7	3015797	2	WASHER, FLAT, 3/8" SAE, ZY
8	FNE038016044	2	NUT, NYLOCK 3/8-16 X 7/16 ZINC
9	3029357	4	BOLT, CARRIAGE 1/2 - 13 X 1.75 GR8 ZN
10	3002397	4	LOCKNUT, HEX NYLOCK, 1/2 - 13 ZN, GR8

Recommended Fastener Torque Chart (ft.-lb.)			
Size	 SAE Grade 2	 SAE Grade 5	 SAE Grade 8
1/4-20	6	9	13
5/16-18	11	18	28
3/8-16	19	31	46
3/8-24	24	46	68
7/16-14	30	50	75
1/2-13	45	75	115
9/16-12	66	110	165
5/8-11	93	150	225
3/4-10	150	250	370
7/8-9	150	378	591
1-8	220	583	893
Metric Grade 8.8 (ft.-lb.)			
Size	Torque	Size	Torque
M6	7	M12	60
M8	17	M14	95
M10	35	M16	155
These torque values apply to fasteners except those noted in the instruction.			

WARNING

- DO NOT under any circumstances disable, remove or relocate any sensors or components related to the operation of the air bags.
- Always follow the vehicle manufacturers' recommendations relating to snowplow installation.
- To comply with Federal Regulations and to assure a safe vehicle, the Front Gross Axle Weight Rating (FGAWR), Rear Gross Axle Weight Rating (RGAWR), and the Gross Vehicle Weight Rating (GAWR) must not be exceeded at any time.
- Due to the variety of equipment that can be installed on this vehicle, it is necessary to verify that the Front Gross Axle Weight Rating (FGAWR), Rear Gross Axle Weight Rating (RGAWR), and the Gross Vehicle Weight Rating (GAWR) are not exceeded at any time. This may require weighing the vehicle and adding ballast as necessary. It may also limit payload capacity of the vehicle. It is the operator's responsibility to verify that these ratings are not exceeded.

CAUTION

- Read all instructions prior to assembly
- It is critical that all fasteners be properly torqued for safe plow operation – see chart above.
- Fasteners should be retorqued after 5-8 hours of plow use

FULL ONE-YEAR WARRANTY

Manufacturer will repair, or at manufacturer's discretion will replace any part of this snowplow which proves to be defective in workmanship or material under normal use for a period of one year from the date of delivery to the original purchaser. Any cost incurred in returning the product to the supplier is the responsibility of the consumer.

EXCLUSIONS

Manufacturer shall not be liable for special, incidental, or consequential damages, or for damages resulting from lack of necessary maintenance, from misuse, abuse, acts of God, or alteration of the product. Some states do not allow the exclusion or limitation of incidental or consequential damages, so the above limitation or exclusion may not apply to you.