

Installation Instructions

1401150 Electric Clutch Assy

Application

The 1401150 electromagnetic clutch is a dry clutch used in machinery transmission systems. The clutch may be actuated while spinning.

Working Conditions

1. Altitude less than 3300ft
2. Relative Humidity less than 90%
3. Operating Temperature between 5°F and 105°F
4. Operating Voltage of 10.2VDC-13.2VDC
5. Friction surface free of grease and contaminants

Structure and Working Principle

The 1401151 electromagnetic clutch is comprised of a magnetic yoke, windings, baffle, gag bit, spring and coupling (fig. 1). When the windings are powered, the gag bit is engaged and the drive and driven sides are engaged. When power is removed, the gag bit retracts and the driven side rotates freely and separately from the drive side.



Installation and Use Tips

1. This product is a dry clutch. The friction surface and gag bit must be kept free of grease or other contaminants
2. The clutch should be mounted coaxially or counter-shaft. When mounted counter shaft, the drive and driven axes should be maintained within 2° of each other.
3. If the friction is evident while the clutch is not engaged, check the air gap and remount the clutch as necessary.

Rated Voltages (V Dc)	δ (mm)	Rated Power (W)	Rated Torque (N. m)
12	0.3 - 0.5	≤ 45	≥ 80

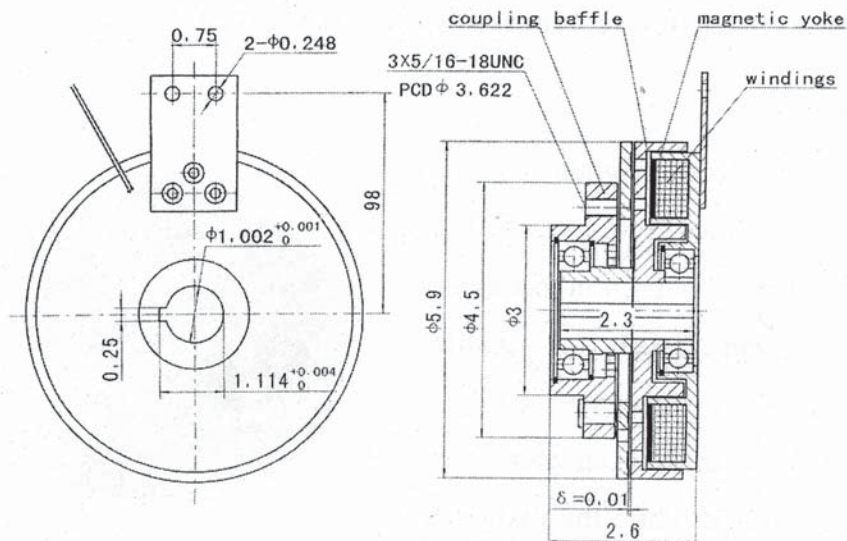


Fig. 1