

Installation Instructions

B210880 Self Leveling Bracket

1. Using bracket 2100200 as a template, mark and drill (2) 13/32" diameter holes in the vehicle in the desired mounting location.
2. Install bracket 2100200 using the screws, washers and nuts as shown in Figure 1.
3. Install bracket 3008859 using the screws, felt washers, bushings, star washers and nuts as shown in Figure 1. Tighten screws to allow the bracket to pivot freely.
4. Install grommet 0208495 in one of two holes provided in bracket 3008859. Use the hole that most closely matches the location of the wire harness in the bottom of the light being installed.
5. Pass the wire harness on the light down through the grommet and install the light onto leveling bracket using the hardware provided with the light.
6. Connect the wire harness to the vehicle per the light manufacturer's instructions. Be sure to leave enough slack in the harness to allow the light and bracket to pivot freely.

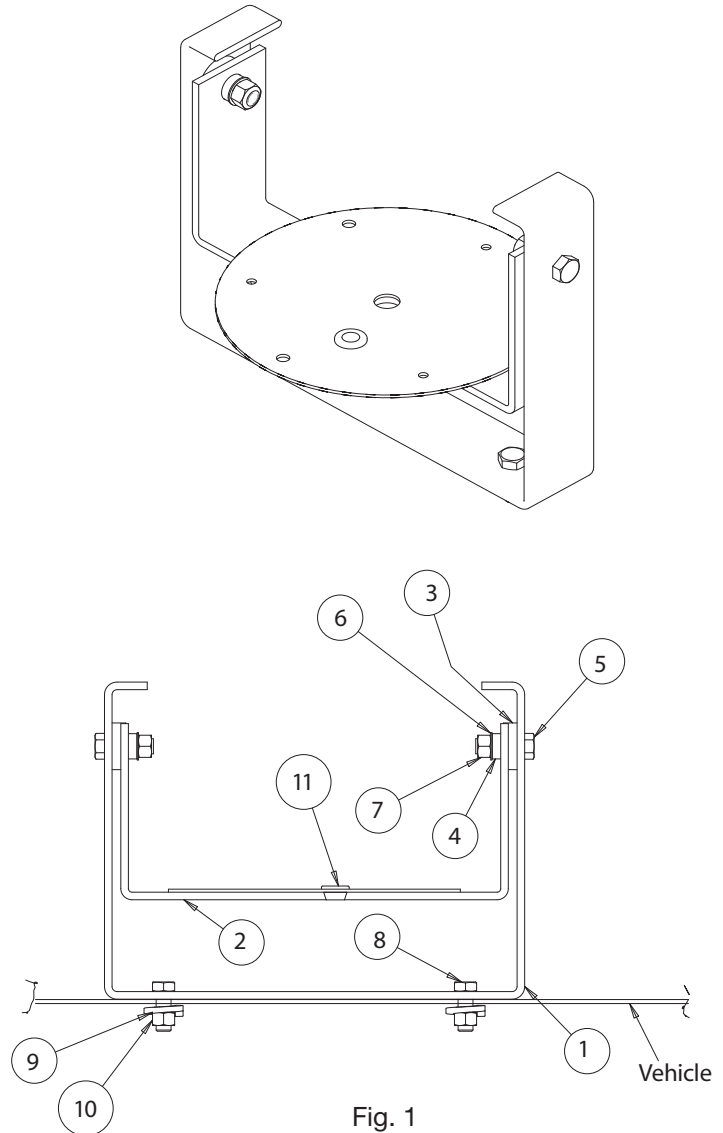


Fig. 1

Bill of Materials

ITEM	PART NO.	QTY.	DESCRIPTION
1	2100200	1	Bracket, Self Leveling Base
2	3008859	1	Bracket, Welded, Self Leveling Upper
3	2100300	2	Washer, Felt, Self Leveling Bracket
4	2100400	2	Bushing, Bronze, Self Leveling Bracket
5	-	2	Screw, Hex Head Cap, 3/8 x 1-1/4, ZN
6	-	2	Washer, Internal Tooth Lock, 3/8"
7	-	2	Nut, Hex, 3/8-16, ZN Yellow
8	-	2	Screw, Cap, Hex HD, 3/8-24 x 1, ZN Yellow
9	-	2	Washer, Split Lock 9/16 ZN
10	-	2	Nut, Hex, 3/8-24, Yellow, ZN
11	0208495	1	Grommet, Quick Fit

Warranty

Buyers Products Co. warrants all truck/trailer hardware manufactured or distributed by it, to be free from defects in material and workmanship for a period of one year from date of shipment. Parts must be properly installed and used under normal conditions. Any product which has been altered, including modification, misuse, accident or lack of maintenance will not be considered under warranty. Normal wear is excluded. The sole responsibility of Buyers Products Co. under this warranty is limited to repairing or replacing any part or parts which are returned, prepaid, and are found to be defective by Buyers Products Co. Authorization from Buyers Products Co. must be obtained before returning any part. No charges for transportation or labor performed on Buyers' products will be allowed under this warranty.