

Installation Instructions

6451055 Push/Pull Style Lift Axle Control Assembly, 3/8 Tube

The lift axle control assemblies are designed specifically for vehicle based air suspension and lift axle applications.

WARNING

ALWAYS WEAR PROPER EYE PROTECTION AND OTHER PERSONAL SAFETY EQUIPMENT WHEN PERFORMING ANY SERVICE ON YOUR VEHICLE AND/OR ANY OF ITS SYSTEMS.

WARNING

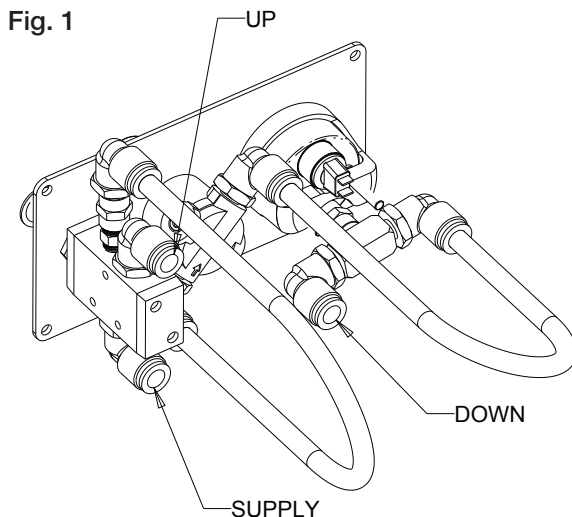
DISCONNECT THE BATTERY AND RELEASE STORED AIR PRESSURE IN ALL SYSTEM COMPONENTS BEFORE PERFORMING ANY SERVICE ON THE SYSTEM.

WARNING

THE SYSTEM AIR MUST BE MOISTURE FREE IF TEMPERATURES ARE BELOW FREEZING TO ENSURE RELIABLE PERFORMANCE.

Installation and Operation:

1. Using 3/8" DOT approved tubing, plumb the air supply into the Supply fitting as shown in FIGURE 1.
2. Using 3/8" DOT approved tubing, plumb the air from the Up and Down fittings as shown in FIGURE 1.



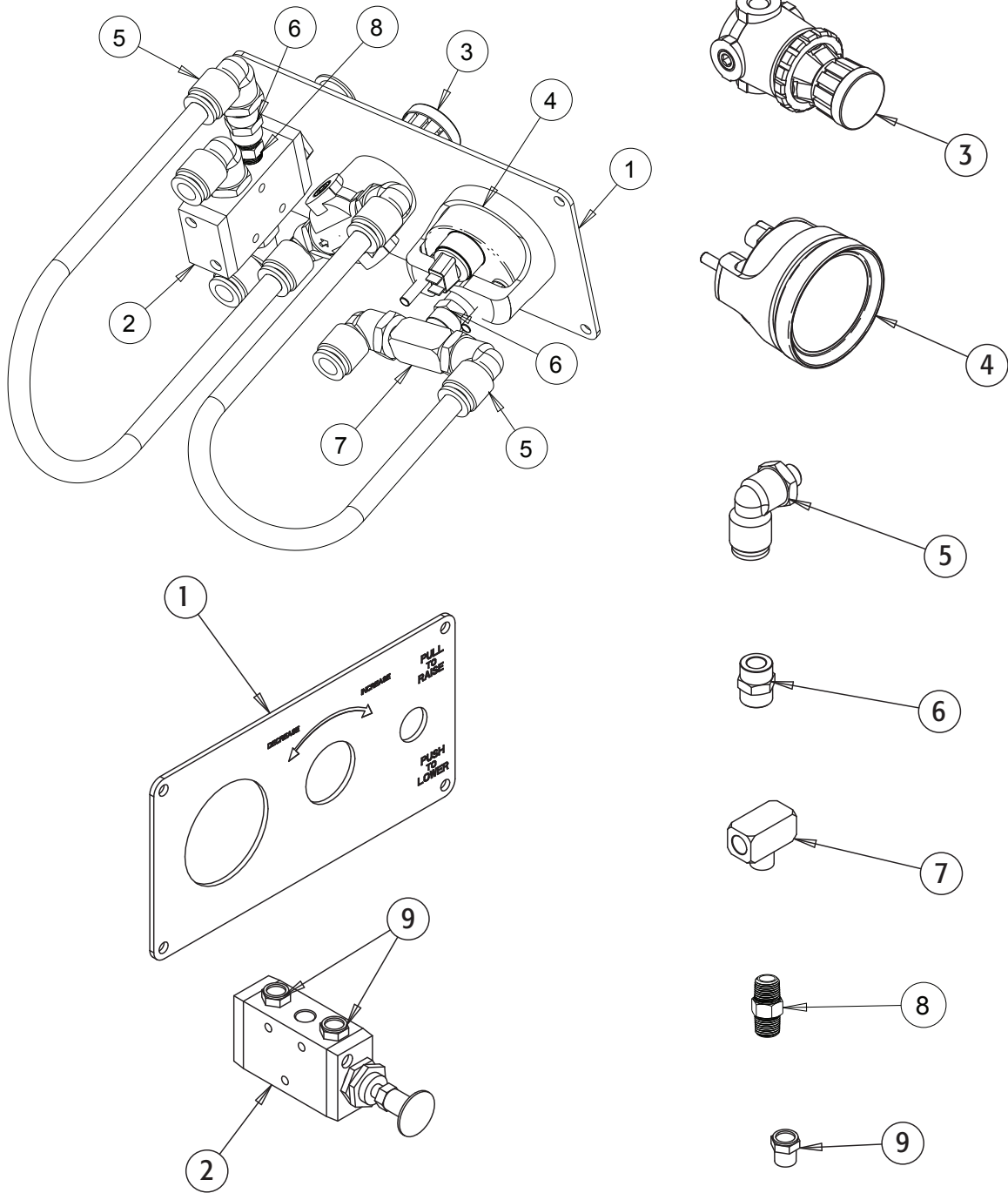
WARNING

AFTER ANY WORK IS COMPLETED, THE AIR AND ELECTRICAL SUPPLIES CAN BE RECONNECTED AND LEAK TESTING SHOULD BE PERFORMED ON THE PRODUCT. DO NOT USE THE PRODUCT IF ANY AUDIBLE LEAK IS DETECTED OR IF IT DOES NOT FUNCTION PROPERLY.

3. The operator will control the outlet pressure, displayed by the illuminated gauge, using the regulator. The pressure is increased by turning the regulator clockwise and is reduced by turning the regulator counterclockwise.
4. To raise the lift axle, the operator will PULL the valve OUT.
5. To lower the lift axle, the operator will PUSH the valve IN.

WARNING

CONFIRM THE AREA SURROUNDING THE LIFT AXLE IS CLEAR BEFORE OPERATION. MAKE SURE THE TRUCK IS IN PARK WITH THE PARKING BRAKE ENGAGED BEFORE RAISING OR LOWERING THE LIFT AXLE.



Bill of Materials

ITEM	PART NO.	QTY.	DESCRIPTION
1	3023190	1	Plate, Lift Axle, Push/Pull
2	BAV010	1	Valve, Air, Push/Pull
3	6451025	1	Regulator, Pressure, (2) 1/8" Work Ports
4	6451035	1	Gauge, Pressure, 2" Dial, 0-160 PSI, 1/8"
5	NE90M375P125S	7	Fitting, Male Swivel, Elbow, Dot, Push-In, 3/8" X 1/8" Pipe Thd.
6	3300x2x2	2	Coupling, Brass 1/8"
7	3600x2	1	Fitting, Male Branch Tee 1/8"
8	3325x2	1	Nipple, Hex, Brass 1/8"
9	BAV01502	2	Air Valve Breather 1/8" NPT

WARRANTY

Buyers Products Co. warrants all truck/trailer hardware manufactured or distributed by it, to be free from defects in material and workmanship for a period of one year from date of shipment. Parts must be properly installed and used under normal conditions. Any product which has been altered, including modification, misuse, accident or lack of maintenance will not be considered under warranty. Normal wear is excluded. The sole responsibility of Buyers Products Co. under this warranty is limited to repairing or replacing any part or parts which are returned, prepaid, and are found to be defective by Buyers Products Co. Authorization from Buyers Products Co. must be obtained before returning any part. No charges for transportation or labor performed on Buyers' products will be allowed under this warranty.