

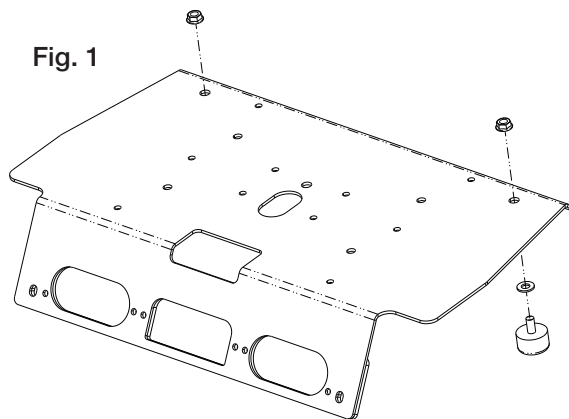
# Installation Instructions

## 8895550 Drill-free 3rd Brake Light Lightbar Mount

Works on Ford F150 2015+ and F250-F550 2017+

**NOTICE:** This part is aluminum and will not work with magnetically mounted accessories.

**1.** Install the Rubber Bumpers to the Main Plate using the included washers and nuts. See Figure 1.



**2.** Install the Lightbar (or other permanently mounted accessory) to the Main Plate. **NOTE:** Ensure that no hardware protrudes more than 3/8" beyond the bottom of the Main Plate so that the roof of the truck will not be contacted. The Main Plate comes with an array of existing holes. You may need to modify these or drill new holes to attach your accessory.

**3.** Remove the 3rd Brake Light Assembly from the truck by carefully taking out the 4 mounting screws and removing the lightbulbs and wire harness. See Figure 2. **NOTE:** These screws will be reused to mount the light onto the Main Plate.



**4.** With the 3rd Brake Light Assembly removed, position the Main Plate on the truck, check all hardware clearances and shim/adjust as necessary.



**5.** Loosely install the Main Plate onto the truck using the included screws and anchor plates. **DO NOT OVERTIGHTEN** See Figure 3.

- a.** Direct wiring the Lightbar or other accessory
  - i.** Feed the wire from the Lightbar or accessory through the Main Plate, around the side of the 3rd



Brake Light housing and into the truck from the bottom. This will provide the best weather seal.

- ii.** Tighten the Main Plate against the truck and verify that the wire is positioned as desired and the Light or accessory is functioning properly. Adjust as necessary for optimal fit.
- b.** Using prewired auxiliary plug
  - i.** Route the wire clear of any pinch points and into the truck where desired.
  - ii.** Tighten the Main Plate against the truck. Adjust as necessary for optimal fit.

**6.** With the Main Plate is in position, reinstall the 3rd Brake Light by first reconnecting the harness and then reinserting the 4 mounting screws. See Figure 4.

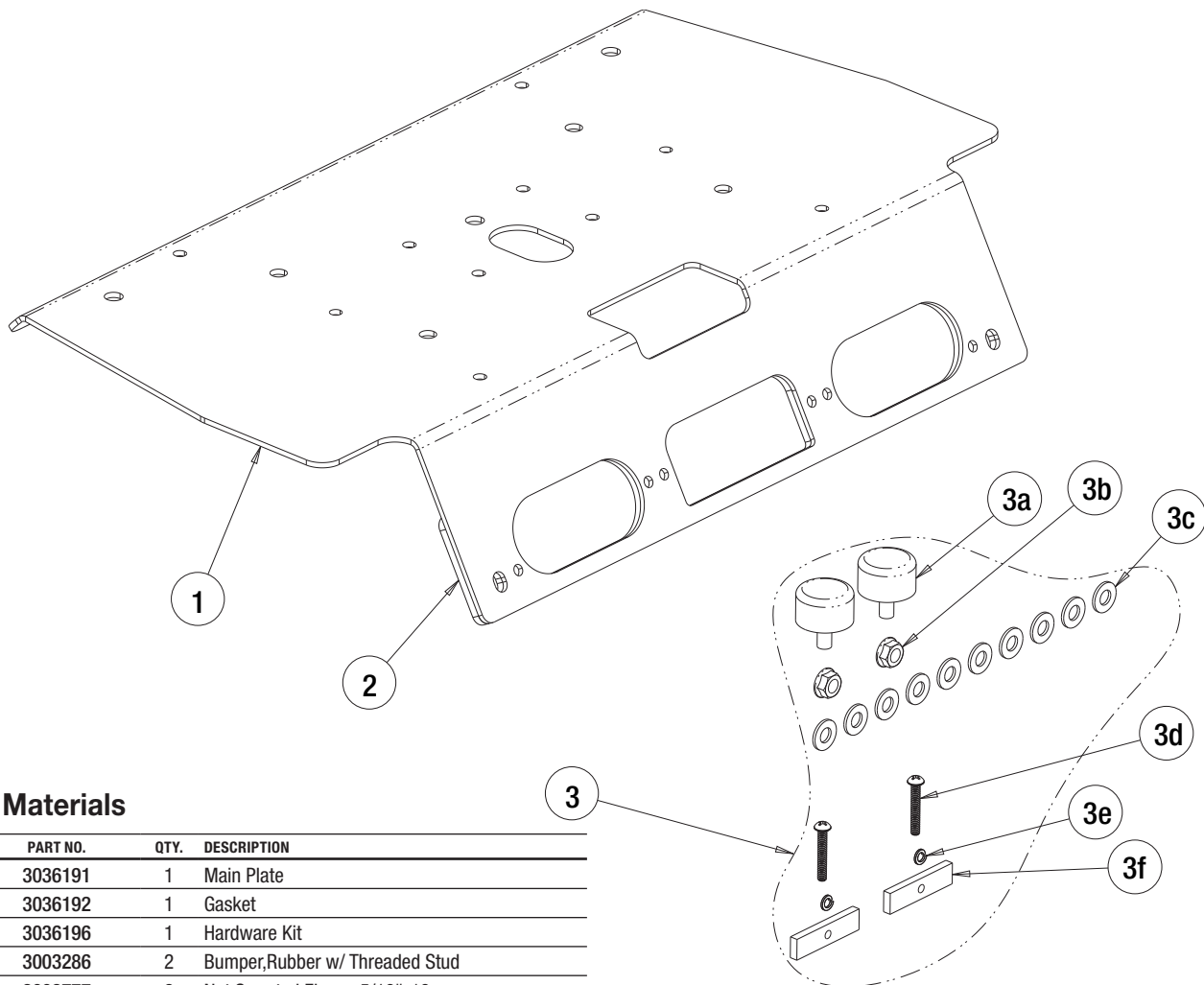


Fig. 4

**7.** Verify the function of 3rd Brake Light

### WARRANTY

Buyers Products Co. warrants all truck/trailer hardware manufactured or distributed by it, to be free from defects in material and workmanship for a period of one year from date of shipment. Parts must be properly installed and used under normal conditions. Any product which has been altered, including modification, misuse, accident or lack of maintenance will not be considered under warranty. Normal wear is excluded. The sole responsibility of Buyers Products Co. under this warranty is limited to repairing or replacing any part or parts which are returned, prepaid, and are found to be defective by Buyers Products Co. Authorization from Buyers Products Co. must be obtained before returning any part. No charges for transportation or labor performed on Buyers' products will be allowed under this warranty.



### Bill of Materials

ITEM	PART NO.	QTY.	DESCRIPTION
1	3036191	1	Main Plate
2	3036192	1	Gasket
3	3036196	1	Hardware Kit
3a	3003286	2	Bumper,Rubber w/ Threaded Stud
3b	3003777	2	Nut,Serrated Flange,5/16"-18
3c	FWF031075006	10	Washer,Flat,5/16"
3d	3036197	2	Screw,Round Head,#10-32 x 1-1/4"
3e	FWL010031005	2	Washer,Split Lock,#10
3f	3036195	2	Anchor Plate,#10-32