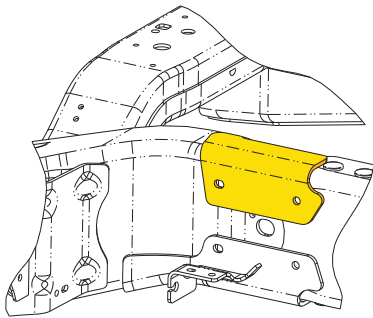


Backpack Mounting Adapter Comparison

3037014

**Backpack Mounting Adapter
for Ford® F350, F450, F550**

2017 – Mid 2020

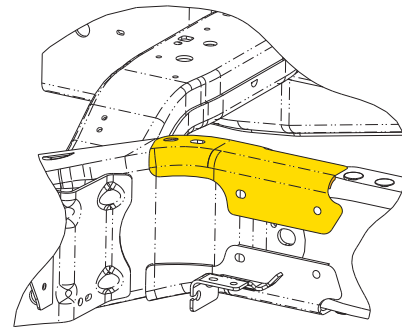


Ford® Frame Bracket 2017 – Mid 2020

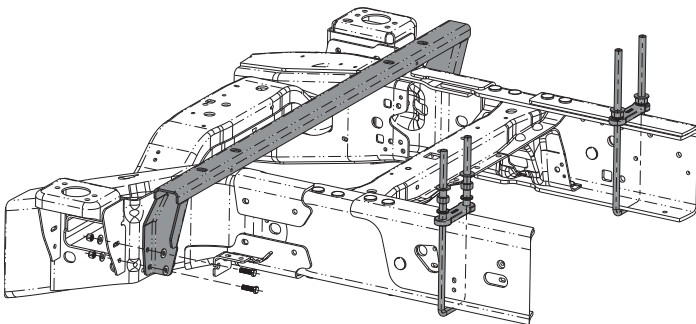
3037014A

**Backpack Mounting Adapter
for Ford® F350, F450, F550**

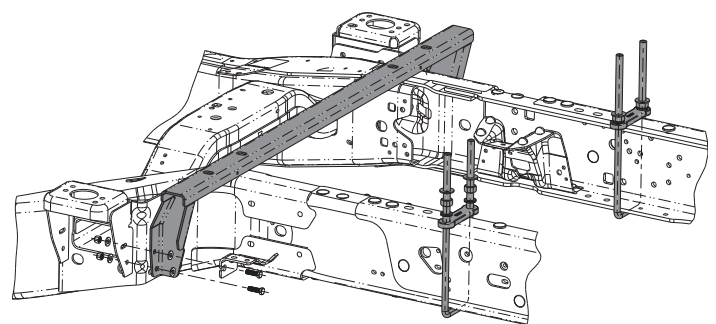
Mid 2020+



Ford® Frame Bracket Mid 2020+



3037014 Backpack Mounting Adapter
for Ford® F350, F450, F550
2017 – Mid 2020



3037014A Backpack Mounting Adapter
for Ford® F350, F450, F550
Mid 2020+