

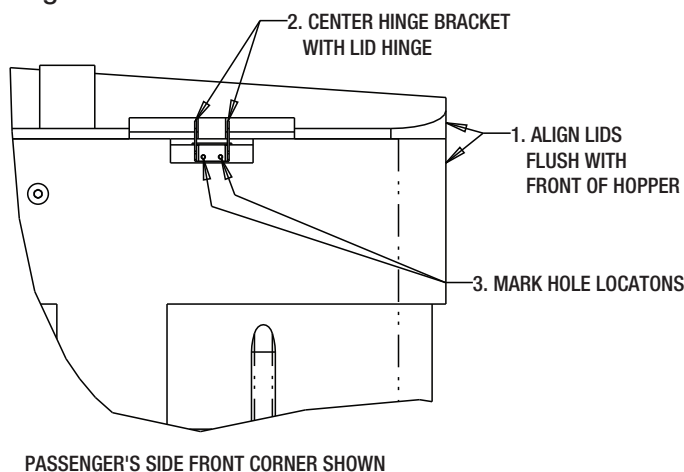
Installation Instructions

3047876 Spreader Lids for PRO3000 and PRO3000CH

Lid and Hinge Bracket Assembly

1. Temporarily remove the spreader's top screen for installation of the lid kit.
2. Place top and lower lock lids (p/n 3015996 & p/n 3016023) on top of the spreader's hopper. Locate the lower lock lid (3015996) on the passenger's side of the spreader. Align both lids with the front surface (cab side) of the hopper.
3. Lift the outside edge of each lid upwards to assemble the six hinge brackets (3048096) over the side of the spreader's hopper. With the lids aligned with the front of the hopper, center each hinge bracket with the lid hinge feature. See Figure 1.

Fig. 1



4. Verify the hinge bracket is seated tightly to the top of the hopper and mark the location of the two outer holes in each of the hinge brackets.
5. Move the lids and mark the hole location of the two inner holes for each hinge bracket while maintaining the alignment with the location marks on the outside made in step 4.
6. Drill 1/4" holes in each location marked. Drill thru just one wall of the hopper at a time (approximately 3/4" deep). After both the inner and outer holes are drilled, drill thru both holes to confirm alignment.
7. Assemble each hinge bracket with two 1/4-20 x 2 stainless steel screws and lock nuts. Apply anti-seize compound to the threads to prevent galling. Assemble the screw from the inside of the hopper and the nut on the outside. See Figure 2.

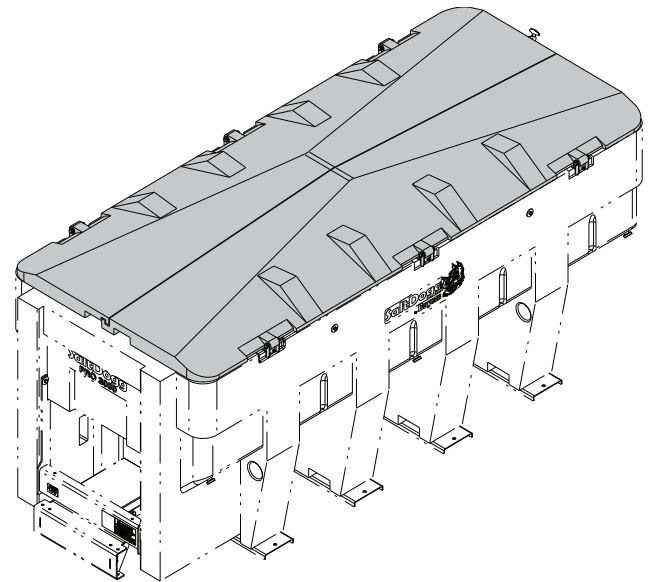
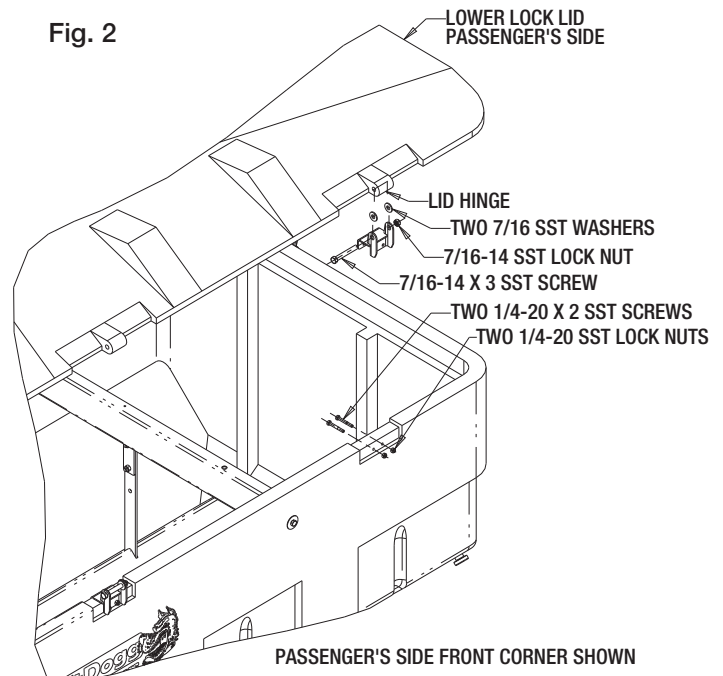


Fig. 2



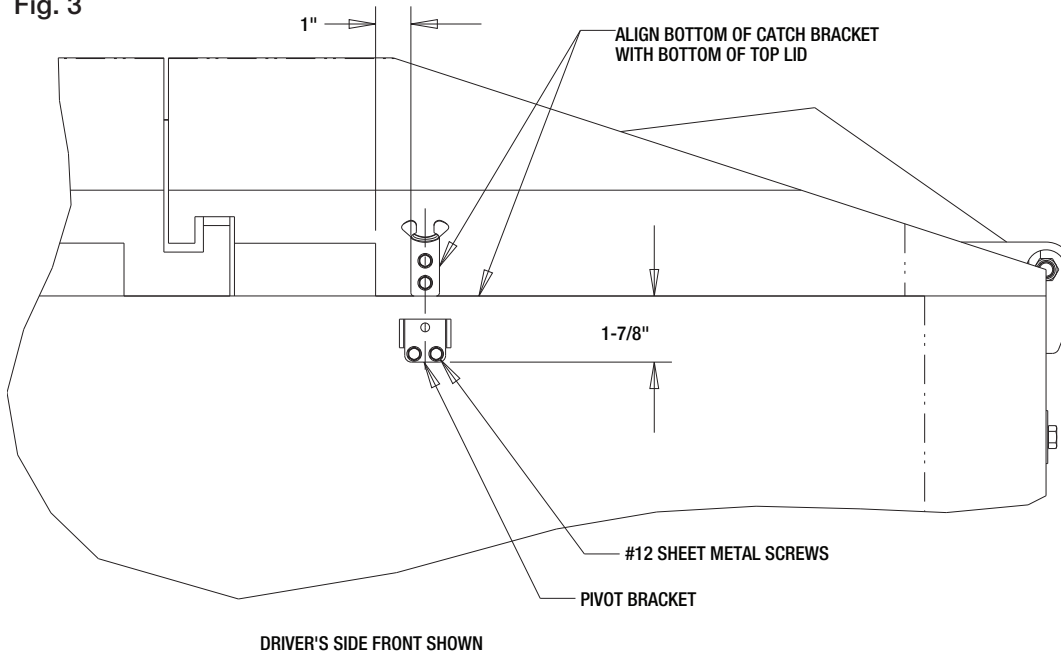
8. Place the lids back on top of the hopper and fasten each lid to the hinge brackets with three 7/16-14 x 3 screws, six washers and three lock nuts. Assemble the washers between the lid hinge feature and each bracket ear. Apply anti-seize compound to the threads to prevent galling. Tighten each nut just enough to remove the end play. Do not clamp the bracket tight to the lid. See Figure 2.
9. Reinstall the spreader's top screen.

Lid Latch Assembly

The latch assembly is mounted to the front of the hopper (cab side) and holds the top lock lid tight to the hopper.

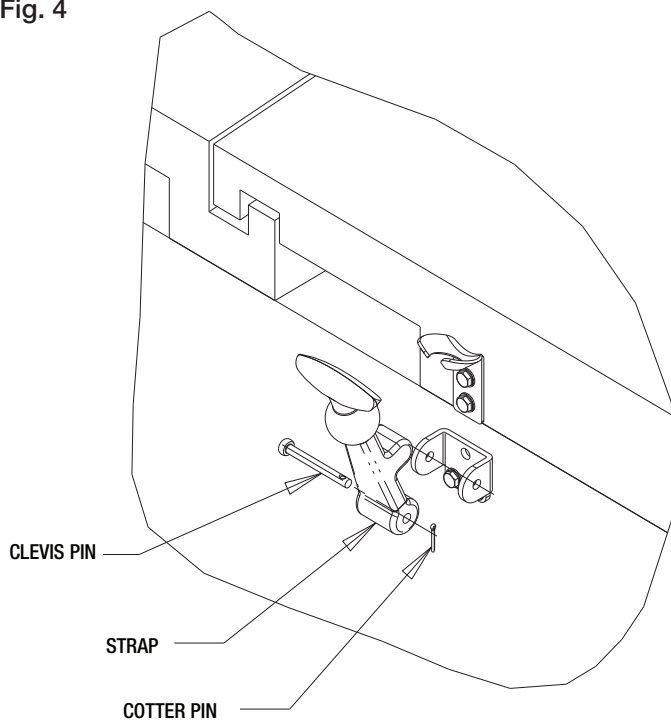
1. Place catch bracket as shown in figure 3 and fasten in place with two #12 stainless sheet metal screws supplied.
2. Place pivot bracket as shown in figure 3 and fasten in place using the two lower holes with two #12 stainless sheet metal screws supplied.

Fig. 3

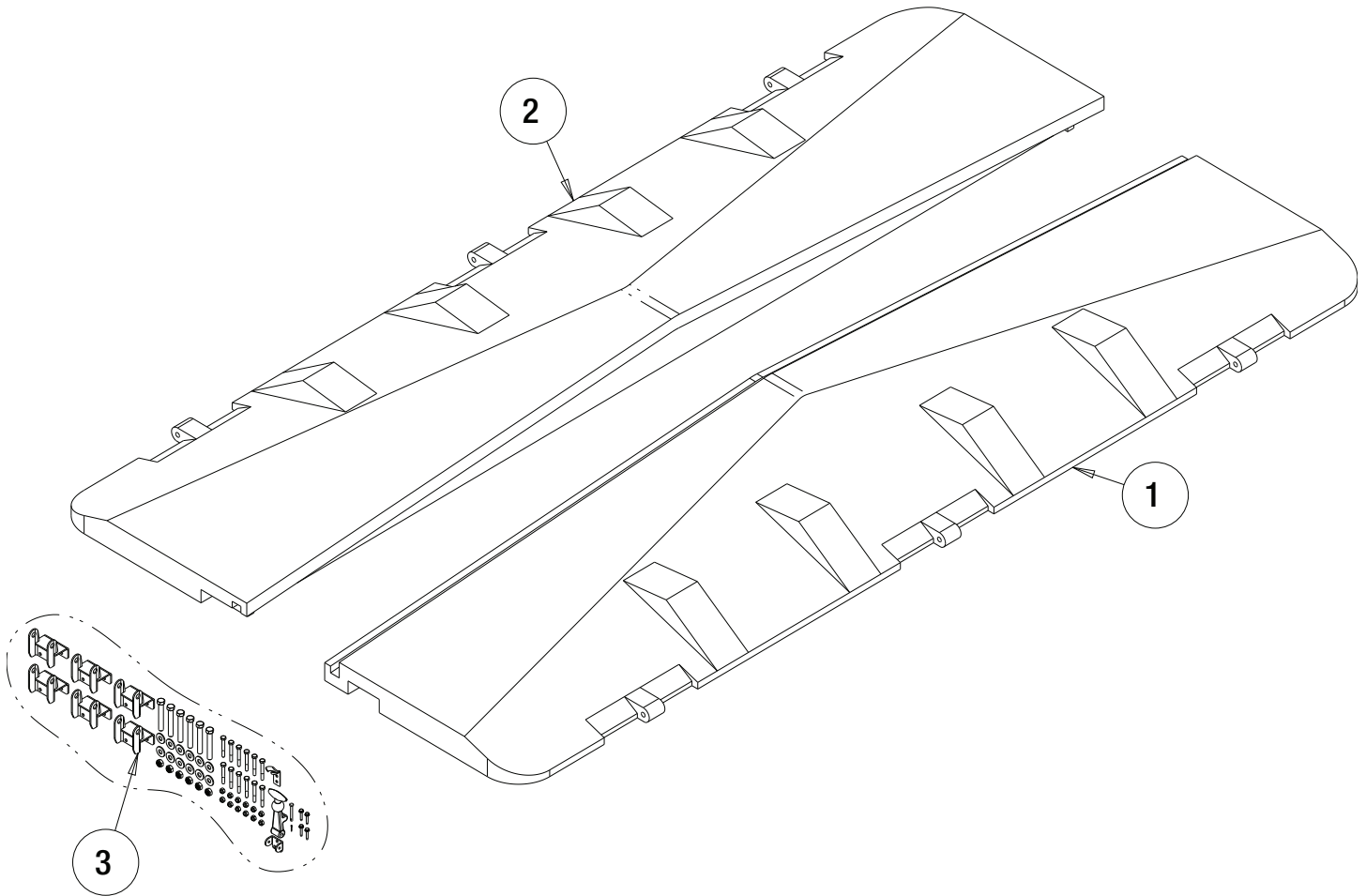


3. Assemble the latch strap to the pivot bracket using the clevis pin and cotter pin supplied. See Figure 4.

Fig. 4



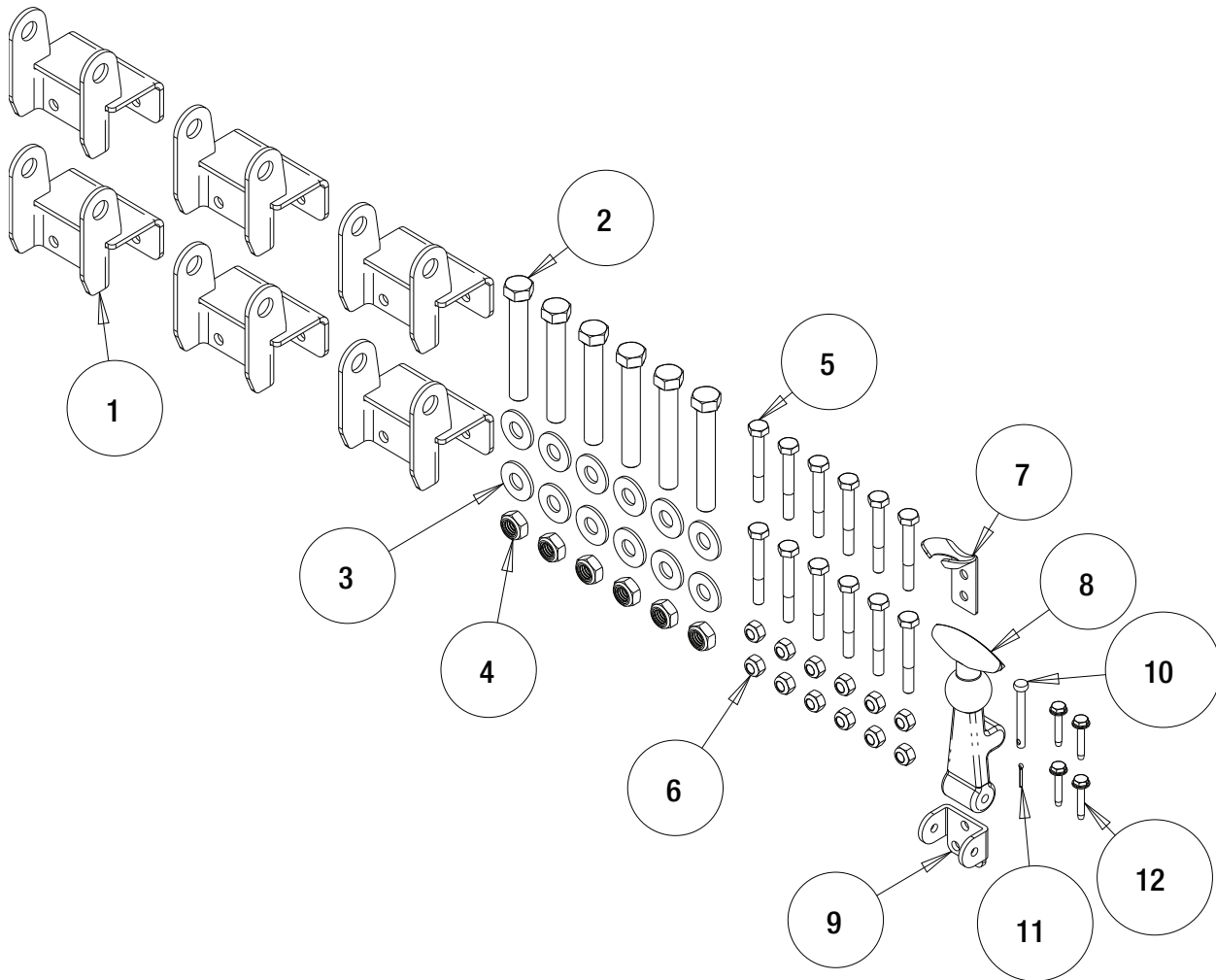
PRO3000 Lids



Bill of Materials

ITEM	PART NO.	QTY.	DESCRIPTION
1	3015996	1	LID, LOWER LOCK
2	3016023	1	LID, TOP LOCK
3	3048088	1	HARDWARE KIT, PRO3000 LID KIT

Hardware Kit for Lids



Bill of Materials

ITEM	PART NO.	QTY.	DESCRIPTION
1	3048086	6	BRACKET, HINGE, LID KIT, PRO3000/CH
2	3048087	6	SCREW, HCAP 7/16-14 X 3.00 SST
3	3018073	12	WASHER FLAT 7/16 SST
4	3014756	6	NUT NYLOCK 7/16-14 SST
5	3017932	12	SCREW, CAP HEX HD 1/4-20X2.0 SST
6	FNE025020031SS	12	NUT, NYLON INSERT 1/4-20 SST
7	3018079	1	CATCH, STAINLESS A-BRACKET
8	3002398	1	STRAP, HOOD LATCH
9	3018078	1	BRACKET, STAINLESS PIVOT
10	3002390	1	PIN, CLEVIS 3/16" X 1-11/16" SST
11	3002392	1	PIN, COTTER 1/16" X 1/2" SST
12	3007522	4	SCREW, SHEET MTL #12x1.0 HEX WASHER HD SST

WARRANTY INFORMATION

Buyers Products Co. warrants all truck/trailer hardware manufactured or distributed by it, to be free from defects in material and workmanship for a period of one year from date of shipment. Parts must be properly installed and used under normal conditions. Any product which has been altered, including modification, misuse, accident or lack of maintenance will not be considered under warranty. Normal wear is excluded. The sole responsibility of Buyers Products Co. under this warranty is limited to repairing or replacing any part or parts which are returned, prepaid, and are found to be defective by Buyers Products Co. Authorization from Buyers Products Co. must be obtained before returning any part. No charges for transportation or labor performed on Buyers' products will be allowed under this warranty.