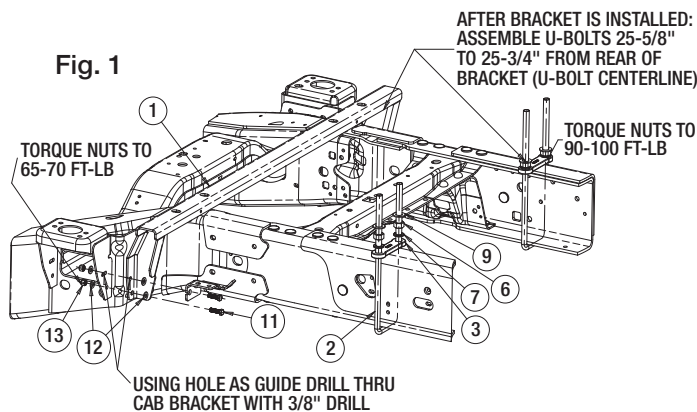


Installation Instructions

3037014A Backpack Mounting Adaptor

Applications: Mid 2020+ F350 Cab and Chassis
Mid 2020+ F450 Cab and Chassis
Mid 2020+ F550 Cab and Chassis

1. Attach the mount bracket weldment (item 1) to the lower holes of the truck's rear cab mounting bracket with two 3/8" screws (item 11), four flat washers (item 12) and two lock nuts (item 13). Tighten to 65-70 ft-lbs. See Figure 1.



2. Using the top hole in the mounting bracket (item 1) as a guide drill thru rear cab bracket with a 3/8" or 13/32" drill bit. Repeat on other side of the vehicle.

3. Assemble two 3/8" screws (item 11), four flat washers (item 12) and two lock nuts (item 13) into the top holes of the mounting bracket. Tighten to 65-70 ft-lbs.

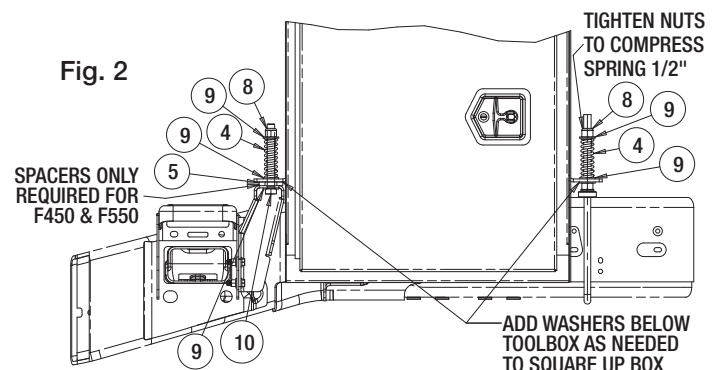
4. Assemble the two U-bolts (item 2) and two tie bars (item 3) to the frame using four 5/8" lock washers (item 7) and nuts (item 6). The center of each U-bolt should be 25-5/8" to 25-3/4" from the rear of the installed mounting bracket (item 1). Torque each nut to 90-100 ft-lbs. Assemble one 5/8" flat washer (item 9) on top of each installed hex nut (item 6).

5. For the F450 & F550 applications only: Place the two spacer plates (item 5) on top of the mounting bracket (item 1) aligning the holes with the slots on both sides.

6. Lower backpack toolbox over the installed U-bolts resting it on the mount bracket (F350) or spacer plates (F450/F550) in the front and the U-bolt flat washers in the rear.

7. Verify that the toolbox is perpendicular with the truck frame and there is a minimum of 2-3/4" clearance from the cab. If necessary, additional flat washers (item 9) may be assembled to the front or the back attachments to adjust the toolbox angle. Also, the slots in the mounting bracket allow for a small amount of cab clearance adjustment; reposition U-bolts as required.

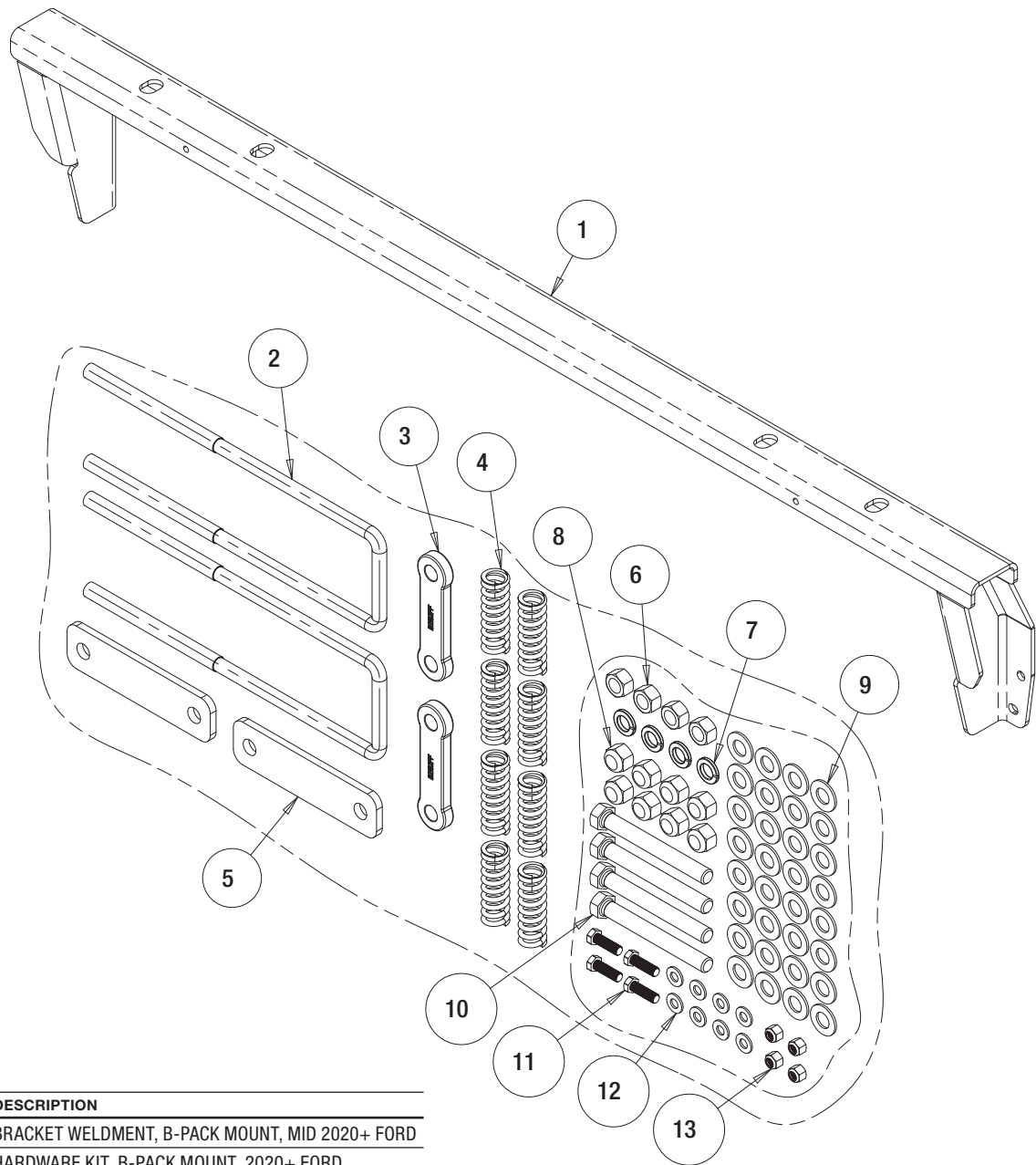
8. Verify alignment of the spacers (F450/F550) and washers (if used) with each slot in the toolbox mount bracket and toolbox mounting flange. Assemble the toolbox to the mounting bracket using four 5/8" screws (item 10), twelve flat washers (item 9), four springs (item 4) and four lock nuts (item 8). Assemble one flat washer onto each screw before assembly and one flat washer above and below each spring. Tighten each lock nut (item 8) such that it compresses each spring 1/2". See Figure 2.



9. Assemble the toolbox to U-bolts using eight 5/8" flat washers (item 9), four springs (item 4) and four lock nuts (item 8). Assemble one flat washer above and below each spring and tighten each lock nut (item 8) such that it compresses each spring 1/2".

10. Periodically check the tightness of the fasteners.

Parts - Backpack Mounting Adaptor



Bill of Materials

ITEM	PART NO.	QTY.	DESCRIPTION
1	3049813	1	BRACKET WELDMENT, B-PACK MOUNT, MID 2020+ FORD
2-13	3049814	1	HARDWARE KIT, B-PACK MOUNT, 2020+ FORD
2	UB5816SZ	2	U-BOLT, SQUARE, 16" ZINC, 7" THD
3	B2162FFZ	2	TIE BAR, FORGED 4.25" C-C, FINISH
4	3008073	8	SPRING, COMPRESSION, BACKPACK MNT KIT
5	3037454	2	PLATE, SPACER, B-PACK MOUNT
6-13	3049817	1	HARDWARE BAG, B-PACK MNT, FORD 2020+
6	-	4	NUT, 5/8-11 ZINC
7	-	4	WASHER, 5/8" REGULAR SPLIT LOCK, ZN
8	-	8	NUT, NYLOCK 5/8-11, ZN
9	-	32	WASHER, 5/8 SAE FLAT ZN
10	-	4	BOLT, TAP, 5/8-11 X 5-1/2, GR5, ZN, FULL THD.
11	-	4	SCREW, HHC, 3/8-24 X1.25, GR8, ZY
12	-	8	WASHER, FLAT, 3/8" SAE, ZY
13	-	4	NUT, NYLOCK, 3/8-24, GR8, ZY

WARRANTY

Buyers Products Co. warrants all truck/trailer hardware manufactured or distributed by it, to be free from defects in material and workmanship for a period of one year from date of shipment. Parts must be properly installed and used under normal conditions. Any product which has been altered, including modification, misuse, accident or lack of maintenance will not be considered under warranty. Normal wear is excluded. The sole responsibility of Buyers Products Co. under this warranty is limited to repairing or replacing any part or parts which are returned, prepaid, and are found to be defective by Buyers Products Co. Authorization from Buyers Products Co. must be obtained before returning any part. No charges for transportation or labor performed on Buyers' products will be allowed under this warranty.