

## CONTENTS

LIGHTHEAD x 2pcs



EXTENSION CABLE



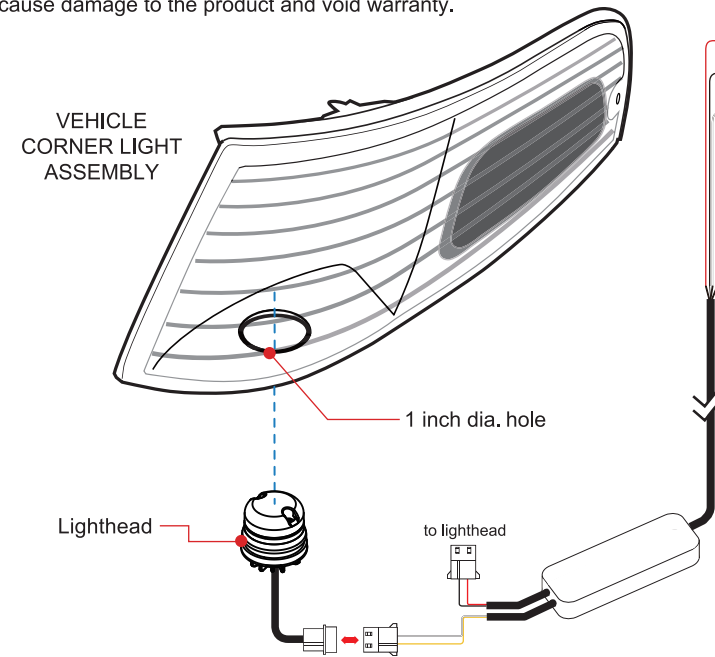
FLASHER & CABLE



## LIGHT ASSEMBLY INSTALLATION

1. Remove the Corner/Head/Tail light from vehicle.
2. Select location to mount lighthouse.
3. Drill 1 inch diameter hole to the light assembly.
4. Insert lighthouse into hole.
5. Apply silicone (user-supplied) for better fit.

**WARNING:** Do NOT cover heat sink with silicone. It may cause damage to the product and void warranty.



**RED** — To +VDC (fuse @ 5A)  
**BLACK** — To Chassis Ground  
**WHITE** — For Simultaneous or Alternating Flash  
 \*refer to "WIRING 2 KITS TOGETHER" on opposite page  
**YELLOW** — For Synchronization & Flash Patterns  
 Connect YELLOW wires of all Kits together for synchronization  
 \*All kits must be set at the same pattern  
 Momentarily apply +VDC to **YELLOW** wire:  
 · once for next pattern  
 · quickly three times for reset

FP#	Flash Patterns	
0	Random	10 Double (all)
1	Single (split)	11 Quad (all)
2	Double (split)	12 Quint (all)
3	Quad (split)	13 Mega (all)
4	Quint (split)	14 Ultra (all)
5	Mega (split)	15 Single-Quad (all)
6	Ultra (split)	16 Single H/L (all)
7	Single-Quad (split)	17 Steady 2 (CA)
8	Single H/L (split)	18 Steady 4 (all)
9	Single (all)	

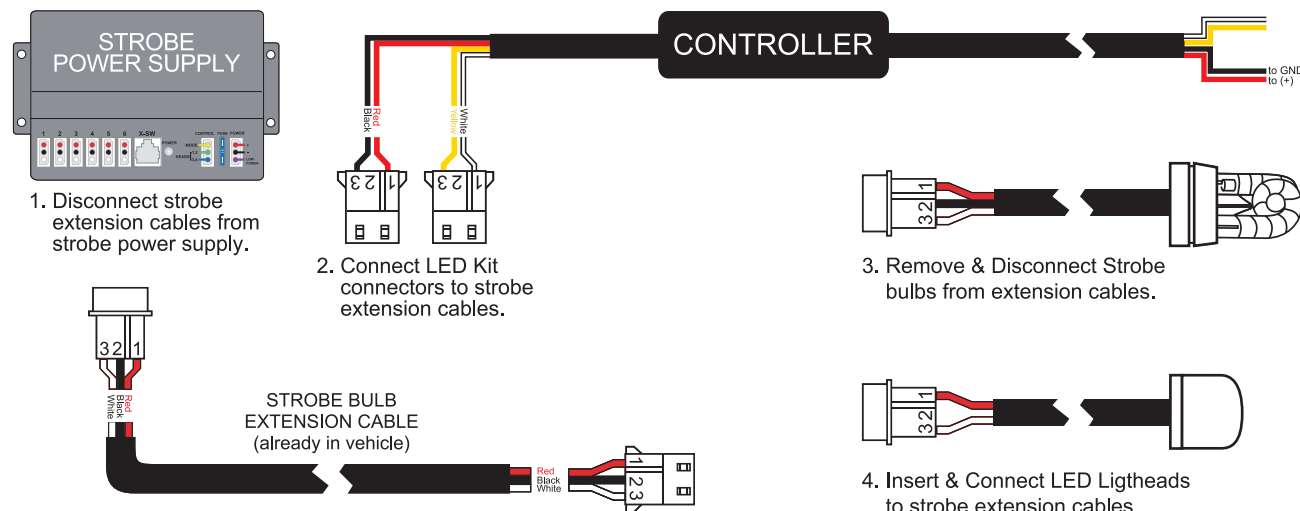
\*SPLIT = Head1 alternate Head2 \*ALL = Head1 & 2 Simultaneous

**NOTE:** This unit may not be factory set at FP# 0.

**NOTE:** Lighthead mounting location may vary depending on the design of the vehicle light assembly.

## WIRING TO EXISTING STROBE CABLES

In this configuration, existing strobe extension cables are used to facilitate installation.



**NOTE:** Wire colors of LED Kit do not need to match wire colors of extension cables.

**WARNING:** Do not connect LED lighthead directly to strobe power supply. It will cause damage and void the warranty.

## CONTENTS

LIGHTHEAD x 2pcs



EXTENSION CABLE



FLASHER & CABLE

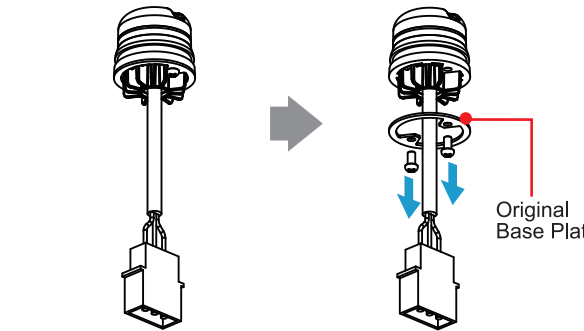


FLANGE OPTION x 2pcs

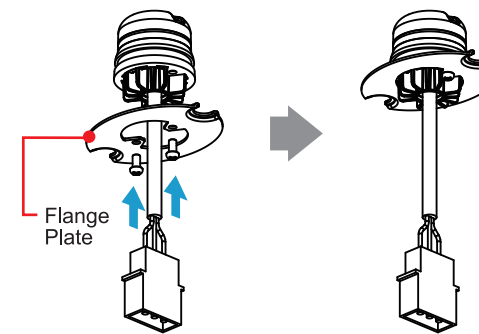


## FLANGE MOUNT INSTALLATION (for kits with Flange option only)

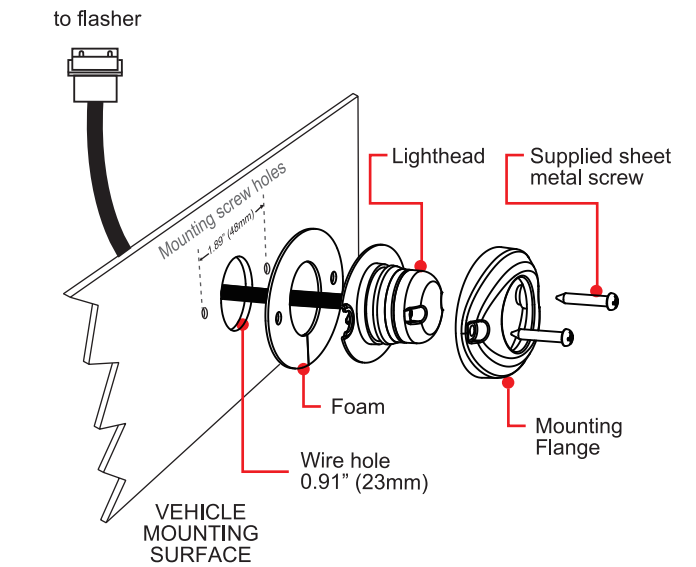
1. Remove Original Base Plate from lighthouse base.



2. Secure Flange Plate to lighthouse base with screws.



3. Use mounting flange to mark wire and screws holes to drill.
4. Drill marked holes accordingly.
5. Insert lighthouse pigtail into wire hole.
6. Place foam, lighthouse, and flange in line with the mounting holes, and secure with supplied sheet metal screws.



**WARNING:** Make sure to use the foams when mounting lighthouses.

## WIRING 2 KITS TOGETHER

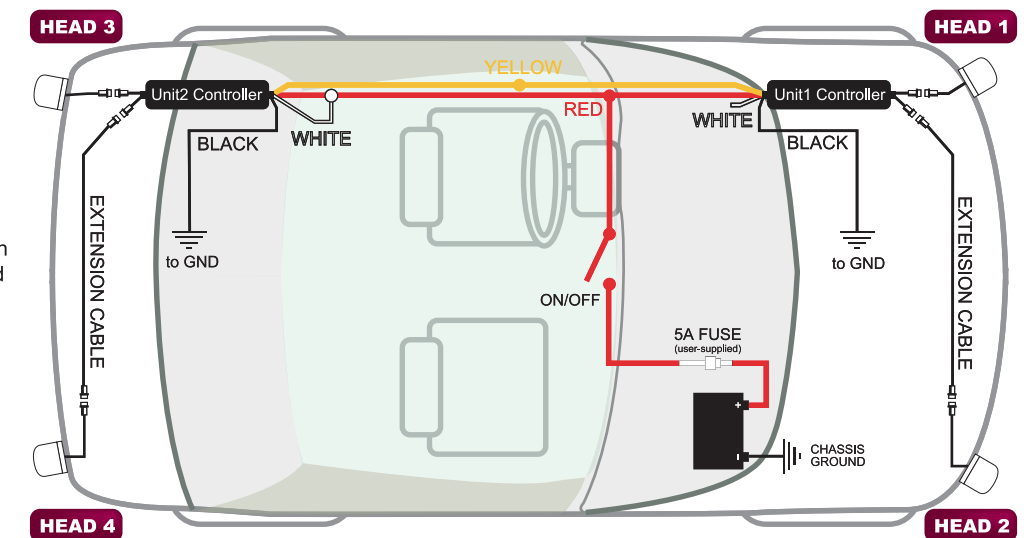
In this configuration, different alternating flash patterns can be achieved.

If "split" flash pattern\* is selected:  
Heads 1&4 will alternate with Heads 2&3.

If "all" flash pattern\* is selected:  
Heads 1&2 will alternate with Heads 3&4.

\*refer to Flash Patterns chart on opposite page.

**NOTE:** To have Heads 1&3 alternate with 2&4, leave all WHITE wires disconnected and select "split" flash patterns.



**NOTE:** Illustration not to scale.