

Installation Instructions

8892000, 8892001 & 8892002 Marker / Strobe Lights

Place in vehicle glove box after installation.

Included in this kit:

- 5 Marker/Strobe Lights
- 1 Flash Module
- 1 Wiring Harness
- 1 Instruction Manual

 **WARNING**

Disconnect battery before beginning installation process.



Accessing Ford OEM Marker Lights:

OEM marker lights are bolted to the roof of the vehicle and can only be accessed by partially dropping the headliner.

1. Disconnect battery power.
2. Unbolt driver and passenger side A-pillar grab handles located to the left and right of the windshield. This will allow the A-pillar cap to be removed. Save hardware.
3. Carefully disassemble and remove center map lights, sun-glass holder, etc., if equipped. Save hardware.
4. Unscrew visor base mounts. Save hardware.
5. Remove sun visor.
6. Unscrew visor clip. Save plastic clip and hardware.
7. Open driver and passenger side doors. Pull rubber weather stripping away from the body as needed.
8. The headliner should now start to drop enough to access marker lights.
9. Remove additional headliner attachment points for increased access. This may be necessary with some cab configurations.

Removing Ford OEM Marker Lights:

Each marker light is attached to the roof with two nuts. An OEM wiring plug supplies power.

1. Remove two nuts from each light.
2. Remove OEM wiring plug by squeezing the tab and pulling.
3. The light can now be removed from outside the vehicle.

Installing Buyers LED Marker/Strobe Lights:

Buyers LED Marker/Strobe lights are easily installed.

1. Center each Buyers marker/strobe light over one of the five holes in the roof.
2. Use provided hardware to securely fasten each light to the roof.
3. Firmly insert OEM plug to the center of each marker/strobe light.
4. Connect battery power
5. Test marker function by turning on vehicle parking lights. All (5) roof mounted lights should function in marker mode only (solid on).
6. If strobe mode is desired move to "strobe hookup" instructions on following page. If not, reattach headliner, weather stripping, visors, A-pillar cap.

Strobe Hookup 1:

A-pillar wiring connection (2008-2015 Ford Super-Duty)

1. Disconnect battery power.
2. Locate provided wiring harness.
3. Use quick connects to attach wiring harness to the white trigger wire of each light. Note the color of each wire and corresponding light number. Document this for future reference.
4. Locate positive (+) OEM marker light wire along the driver side A-pillar. This should be the same wire that is attached to the right side of the OEM plug that connects to each light. Wire color must be an exact match. Test to confirm. With battery disconnected, carefully cut the wire midpoint along the A-pillar. Do not cut the negative (-) OEM marker light wire.
5. Connect each cut end of positive (+) OEM marker light wire to the blunt cut ends on the provided wiring harness, as shown in the attached schematic drawings. Make sure connections are secure. Note the color of both blunt cut wires and their relationship to the cut OEM wire (upper or lower half). Document this for future reference.

A-pillar wiring connection (2007 and earlier Ford Super-Duty)

Note

This will not work on Lariat trim level or trucks with certain accessories (heated mirrors, compass display, etc.). See below for instructions specific to that application.

1. Disconnect battery power.
2. Locate provided wiring harness.
3. Use quick connects to attach wiring harness to the white trigger wire of each light. Use the provided schematic drawings as a reference. Note the color of each wire and corresponding light number. Document this for future reference.
4. Examine an OEM marker light plug and find the wires corresponding to the two terminals along the A-Pillar.
5. Ensure battery is disconnected and cut both wires midway up the A-Pillar.
6. Use a test light to confirm which wire is positive (+) and note the color. The other wire is negative (-), note the color.
7. Connect the LOWER portion of the POSITIVE wire to the R/L IN wire on the provided wiring harness.
8. Connect the UPPER portion of the NEGATIVE wire to R/L OUT wire on the providing wiring harness.
9. Connect the lower portion of the negative wire to the upper portion of the positive wire.
10. Ensure that all connections are secure and note wiring changes for future reference.

A-Pillar Wiring Connection – 2007 and earlier Ford Super-Duty w/premium trim (heater mirrors, compass display, Lariat trim)

1. Follow all instructions for the 2008-2014 Super-Duty
2. If proper tooling is available, remove the terminals/pins from the OEM connectors and reverse the positions at all six locations.
3. Otherwise, cut the wires at the OEM marker light connectors about 2" behind the connector, reverse the polarity, and reattach in all six locations.

Flash Module Location

1. Determine where the provided flash module will be located. This is the connection point for all wires. Keep in mind that the length of the provided wiring harness may be the limiting factor in module location.

Power and Ground Wires

1. Run a 16 AWG power wire from a switched location to the flash module (wire not provided). This can be accomplished on Ford Super-Duty trucks by using the upfitter switches in the center of the dash. Connection points for each switch are located under the dash, above the gas & brake pedals. Check vehicle manual for further upfitter switch information.
2. Run a 16 AWG ground wire from the battery to the interior driver side of the vehicle (wire not provided).

Connecting Wires to the Flash Module

1. Use the provided schematic drawings to make wiring connections to the flash module. Refer to your wire color notes from the above steps when making connections.

Functions

1. Marker lights automatically function when vehicle parking or headlights are on.
2. Strobe lights function when the strobe switch is activated. If marker lights are already on the strobe function will override the marker function. Strobe lights can also function independently, without vehicle parking or headlights, by activating the strobe switch.

Flash Patterns

1. Buyers Marker/Strobe lights have (13) flash patterns (strobe mode only). Flash patterns can be changed by applying positive (+) power to the mode terminal on the flash module for less than 1 second. Applying positive (+) power to the mode terminal for 2.5 seconds resets to first pattern (Random).
2. A momentary switch can be used to make changing patterns more convenient. Use the provided schematic drawing labeled "Alternate Install" to add a momentary switch to the flash module, if desired.

—continued on back

FP#	Flash Patterns
1	Random
2	Steady
3	Single
4	Mega
5	Double
6	Triple
7	Quad
8	Quint
9	(8) Flash
10	Single-Quad
11	Single H/L
12	Single-Triple-Quint
13	Synchronized Alternating

Replacement Parts

- 3026982: Replacement Light, Amber Lens
- 3026983: Replacement Light, Clear Lens
- 3030084: Replacement Light, Smoke Lens
- 3025155: Replacement Wiring Harness, Standard
- 3025157: Replacement Flash Module

Accessories

- 3024565: Accessory Wiring Harness.
(Required for installation on vehicles without factory marker lights.)

*Test system to assure all connections are secure and attached correctly. Reattach vehicle headliner, weather stripping, visors, A-pillar caps, etc.

Marker/Strobe OEM Wiring Schematic

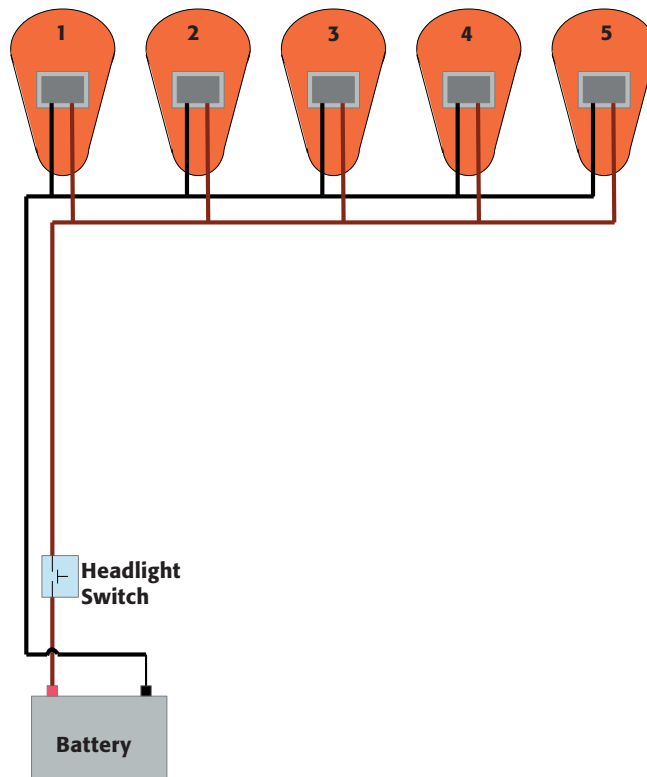


Fig. 1

Standard Install Wiring Schematic

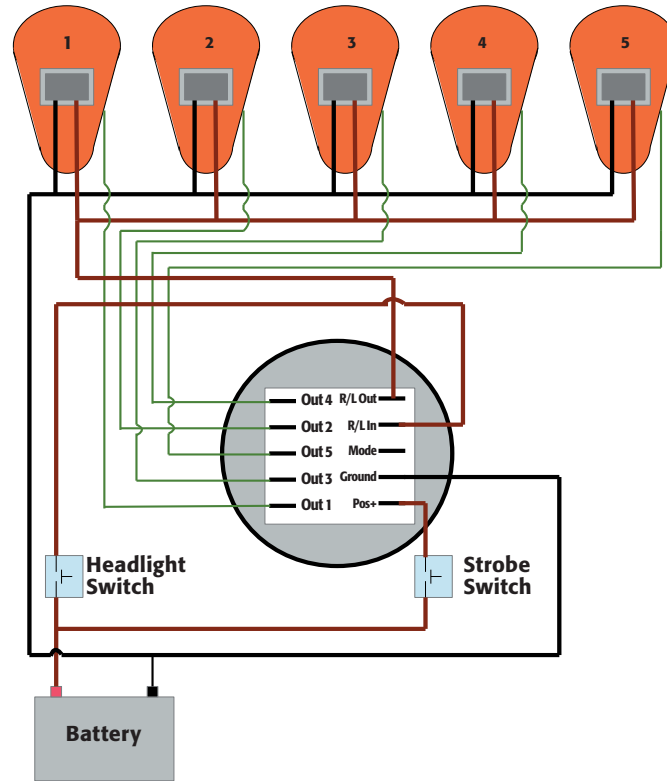


Fig. 2

Alternative Install Wiring Schematic

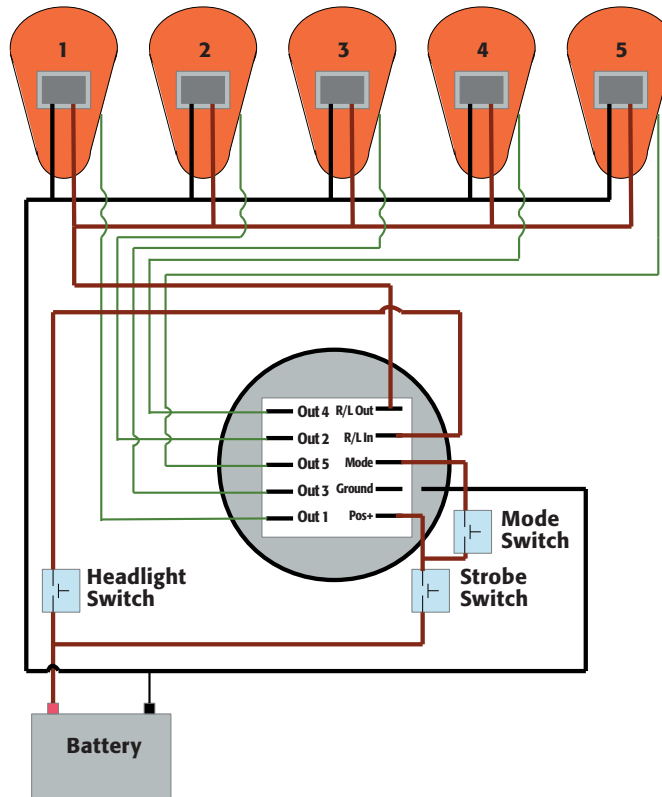


Fig. 3

WARRANTY

Buyers Products Co. warrants all truck/trailer hardware manufactured or distributed by it, to be free from defects in material and workmanship for a period of five years from date of shipment. Parts must be properly installed and used under normal conditions. Any product which has been altered, including modification, misuse, accident or lack of maintenance will not be considered under warranty. Normal wear is excluded. The sole responsibility of Buyers Products Co. under this warranty is limited to repairing or replacing any part or parts which are returned, prepaid, and are found to be defective by Buyers Products Co. Authorization from Buyers Products Co. must be obtained before returning any part. No charges for transportation or labor performed on Buyers' products will be allowed under this warranty.