

MD MOUNT KIT

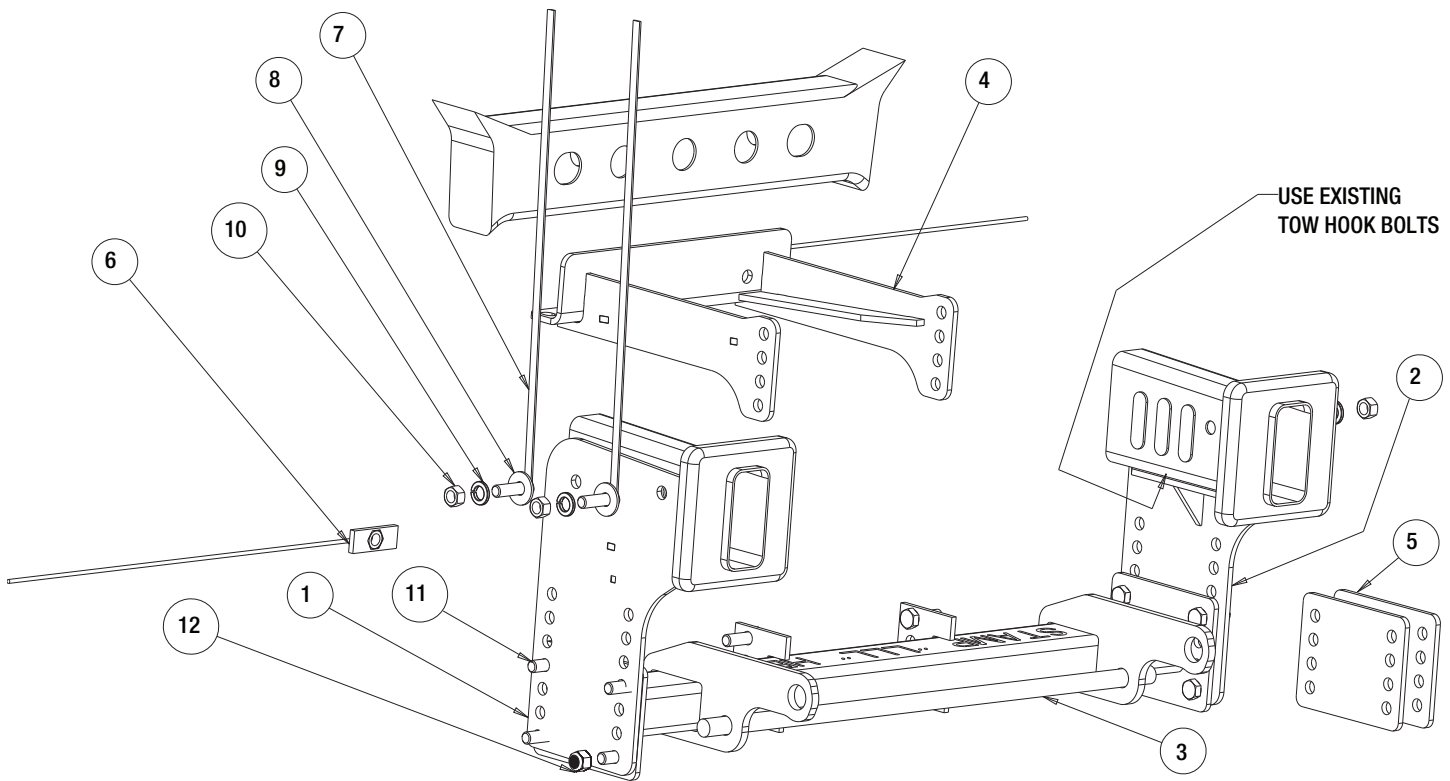
16061225

FORD RANGER 2019+



SnowDogg® Snowplow

TRUCK MOUNT INSTALLATION MANUAL



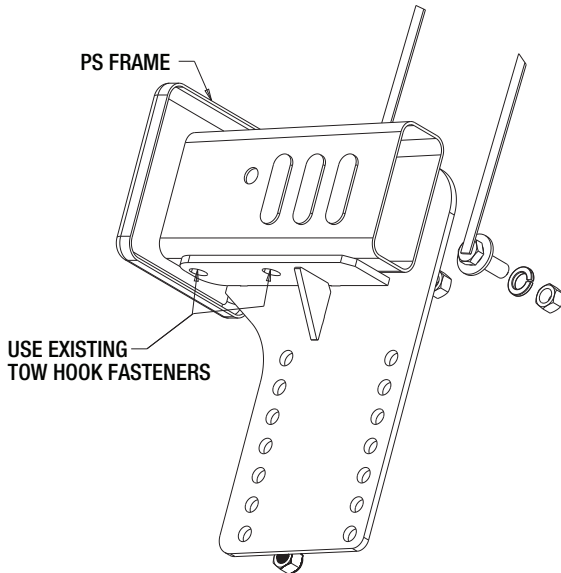
Bill of Materials

ITEM	PART NO.	QTY.	DESCRIPTION
1	16061226	1	SIDE PLATE, 19 RANGER PS
2	16061227	1	SIDE PLATE, 19 RANGER DS
3	16061229	1	PUSH BAR, 2019 RANGER
4	16061228	1	CTR BRACKET, 19 RANGER
5	3015726	2	PLATE, PUSH MOUNT
6	16061121	2	NUT-PLATE, W/ HANDLE WELDMNT
7	16801004	4	SCREW, HEX HD, 1/2- 1 3x1 - 1/2 GR 5 W/HDL
8	FWF050138014	4	WASHER, FLAT, 1/2" USS, ZN
9	FWL050088013	4	WASHER, LOCK - 1/2 SPLIT ZN

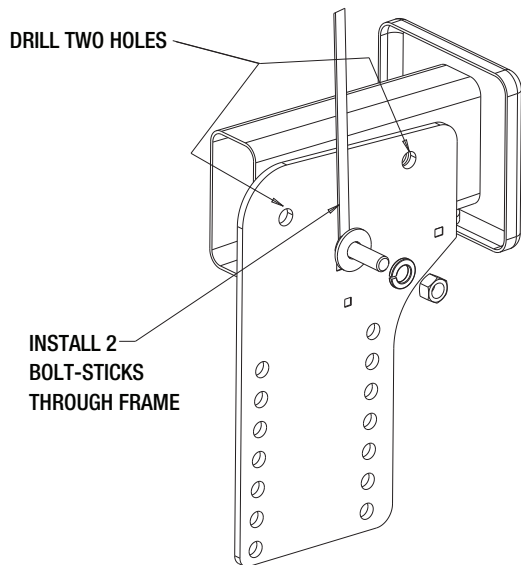
ITEM	PART NO.	QTY.	DESCRIPTION
10	3006201	4	NUT, 1/2-13 HEX GR. 8 ZP
11	3006202	14	SCREW, HEX HD - 1/2- 13 X 1 - 1/2 GR 8 ZC
12	3002397	12	LOCKNUT, HEX NYLOCK, 1/2-13 ZN, G8
13	FWF050138014	5	WASHER, FLAT, 1/2" USS, ZN
14	FWL050088013	2	WASHER, LOCK - 1/2 SPLIT ZN
15	3006201	2	NUT, 1/2-13 HEX GR. 8 ZP
16	FWF038081006	4	WASHER, FLAT 3/8 SAE ZINC
17	FWF038081006	14	LOCKNUT, HEX NYLOCK, 1/2-13 ZN, G8

INSTRUCTIONS

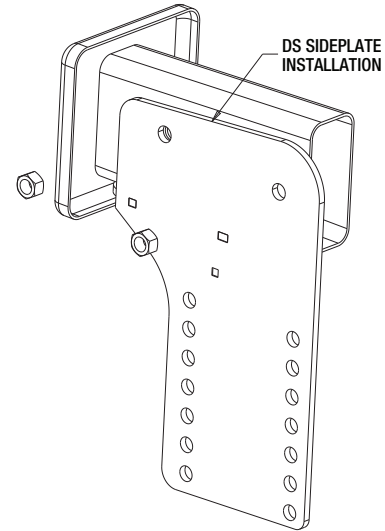
1. Remove the bumper and bumper fasteners. Set aside for later reinstallation.
2. Remove Tow-hook under the frame, it will not be used for this installation.
3. Hold the PS Sideplate (1) up against the PS frame of the truck, aligning it to the two holes from the Tow-hook bracket.



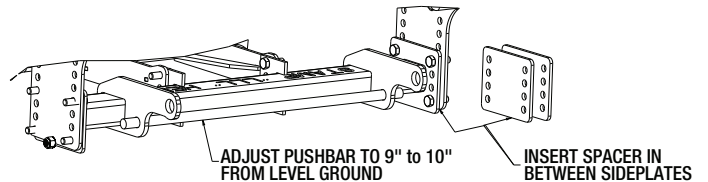
4. On the outside of the Truck-Frame drill two additional holes and secure them with two bolt sticks (7) with washers and nut (8,9,10).



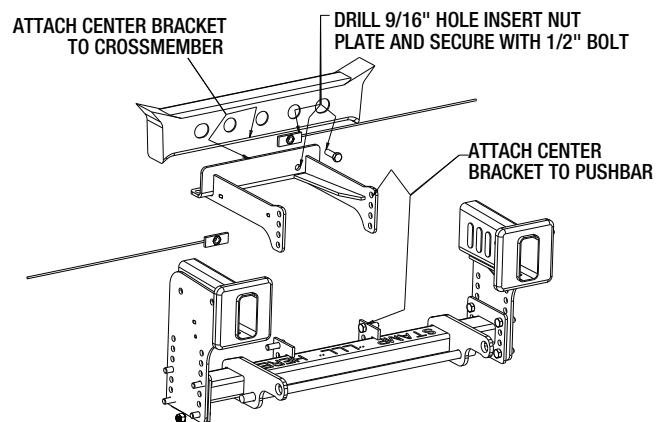
5. Repeat step 3-4 for DS Sideplate (2).






6. Install the Pushbar (3) between the two Sideplates using eight 1/2-13x1.5" screws (11) and eight nuts (12). Adjust the pushbar. The center line of the push bar Cross Pin should be approximately 9" to 10" from the level ground. It may be necessary to notch the bumper to clear room for the pushbar height adjustment.



7. Install the Center Bracket (4) onto the Pushbar (3) using four 1/2" bolts and nuts. Push Center bracket against the cross member and drill two 9/16" holes. Secure the back of the bracket onto the Cross Member of the truck with the 1/2" Bolt (11) and Nut-plate (6).



8. Torque all fasteners as shown in the chart. Check and re-torque all fasteners after 5 hours of usage to ensure safe plow operation. Ensure all coolant lines and wires are clear from moving or hot components.

Recommended Fastener Torque Chart (ft.-lb.)			
Size	 SAE Grade 2	 SAE Grade 5	 SAE Grade 8
1/4-20	6	9	13
5/16-18	11	18	28
3/8-16	19	31	46
3/8-24	24	46	68
7/16-14	30	50	75
1/2-13	45	75	115
9/16-12	66	110	165
5/8-11	93	150	225
3/4-10	150	250	370
7/8-9	150	378	591
1-8	220	583	893

Metric Grade 8.8 (ft.-lb.)			
Size	Torque	Size	Torque
M6	7	M12	60
M8	17	M14	95
M10	35	M16	155

These torque values apply to fasteners except those noted in the instruction.

WARNING

- DO NOT under any circumstances disable, remove or relocate any sensors or components related to the operation of the air bags.
- Always follow the vehicle manufacturers' recommendations relating to snowplow installation.
- To comply with Federal Regulations and to assure a safe vehicle, the Front Gross Axle Weight Rating (FGAWR), Rear Gross Axle Weight Rating (RGAWR), and the Gross Vehicle Weight Rating (GAWR) must not be exceeded at any time.
- Due to the variety of equipment that can be installed on this vehicle, it is necessary to verify that the Front Gross Axle Weight Rating (FGAWR), Rear Gross Axle Weight Rating (RGAWR), and the Gross Vehicle Weight Rating (GAWR) are not exceeded at any time. This may require weighing the vehicle and adding ballast as necessary. It may also limit payload capacity of the vehicle. It is the operator's responsibility to verify that these ratings are not exceeded.

CAUTION

- Read all instructions prior to assembly
- It is critical that all fasteners be properly torqued for safe plow operation – see chart above.
- Fasteners should be retorqued after 5-8 hours of plow use

FULL TWO-YEAR WARRANTY

Manufacturer will repair, or at manufacturer's discretion will replace any part of this snowplow which proves to be defective in workmanship or material under normal use for a period of one year from the date of delivery to the original purchaser. Any cost incurred in returning the product to the supplier is the responsibility of the consumer.

EXCLUSIONS

Manufacturer shall not be liable for special, incidental, or consequential damages, or for damages resulting from lack of necessary maintenance, from misuse, abuse, acts of God, or alteration of the product. Some states do not allow the exclusion or limitation of incidental or consequential damages, so the above limitation or exclusion may not apply to you.