

MD MOUNT KIT

16063315

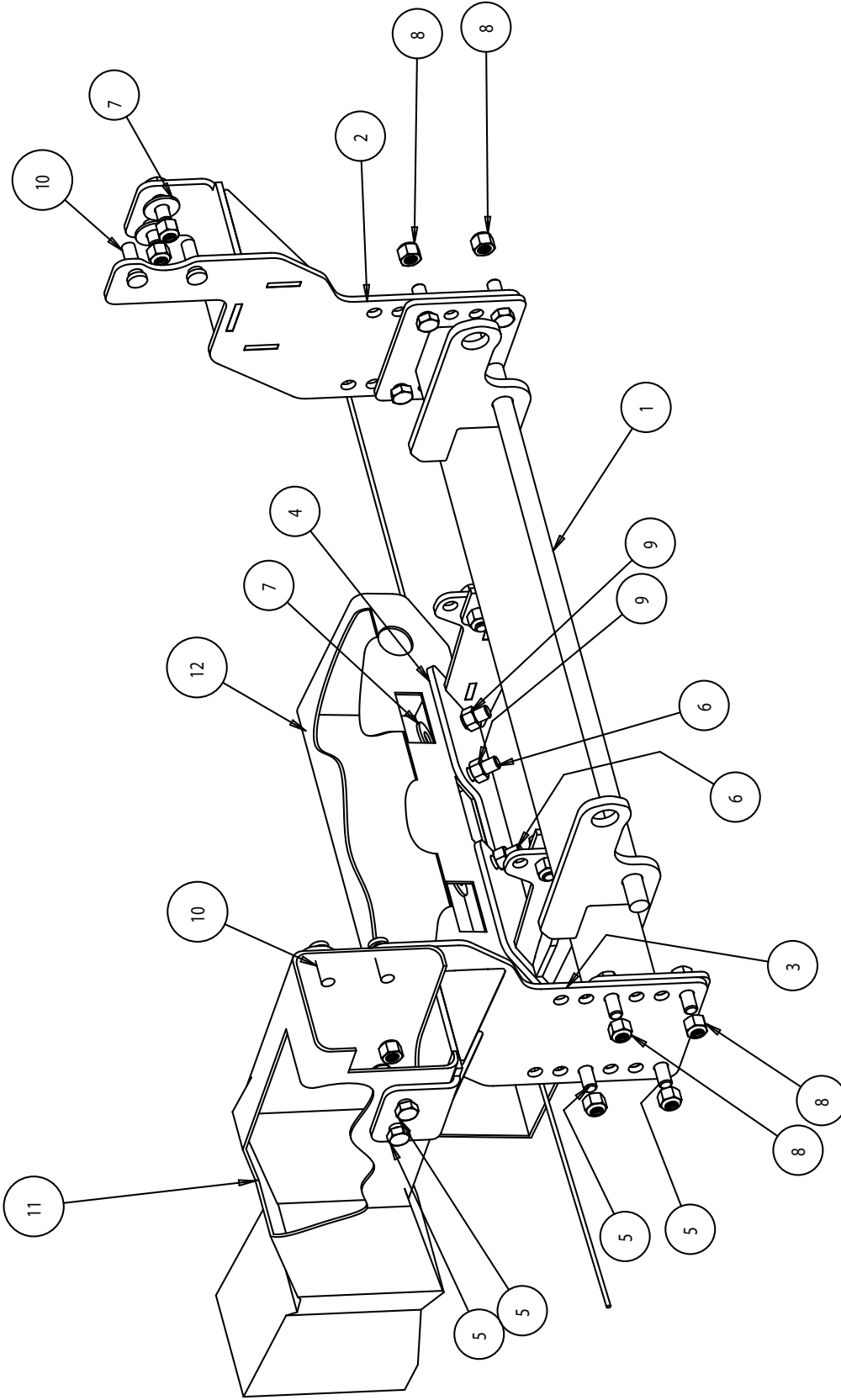
DODGE DAKOTA PICK UP '00-'04

DODGE DURANGO SUV '00-'03



SnowDogg® Snowplow

TRUCK MOUNT INSTALLATION MANUAL



Parts List

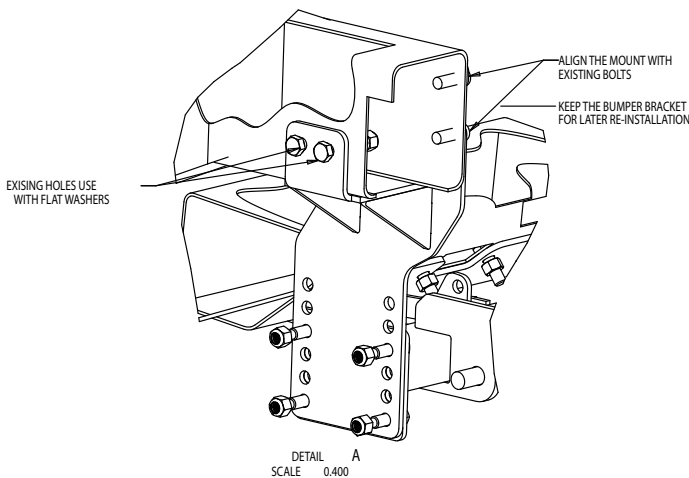
ITEM	PART NO.	QTY.	DESCRIPTION
1	16061217	1	Push Bar, Ford Explorer 07+
2	16063316	1	Side Plate, Dakota 00-04 DS
3	16063317	1	Side Plate, Dakota 00-04 PS
4	16063318	1	Rear Brace, Center Bracket
5	3006202	18	Screw, Hex HD, 1/2-13 x 1-1/2 Gr. 8 ZC
6	16801004	2	Screw, Hex HD, 1/2-13 x 1-1/2 Gr. 5 w/HDL
7	FWF050138014	8	Washer, FL - .500 x 1.38 x .14 ZN
8	3002397	16	Locknut, Hex Nylock, 1/2-13 ZN, Gr. 8
9	3006201	4	Nut, 1/2-13, Hex Gr. 8 ZP
10		4	Bolt, Existing Truck
11		1	Frame, Dakota
12		1	Truck, Frame

INSTRUCTIONS

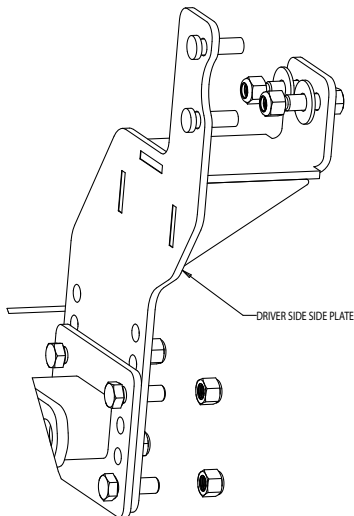
1. Remove plastic air dam from bumper and remove front bumper. This may require disconnection of fog lamps-connector. It is necessary to open the hood and remove the four bumper-mounting bolts. Clamp the bumper bracket and knock out existing two bolts. Remove the bumper bracket temporarily.

2. Remove the existing tow hook bolts. IF EXISTED and prevent mount installation process.

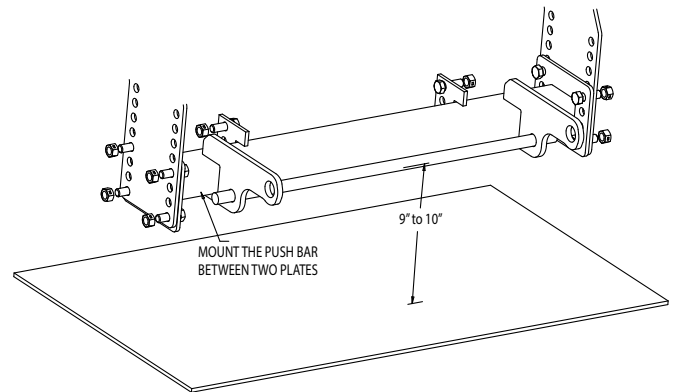
3. Hold the **PS Side Plate** (3) against the frame, aligning with the two existing bolt-holes from the truck. Using the existing bumper bracket and bolts, secure it to the frame of the truck. Install two more bolts, nuts, and washers into the two existing holes (5, 7 & 8).



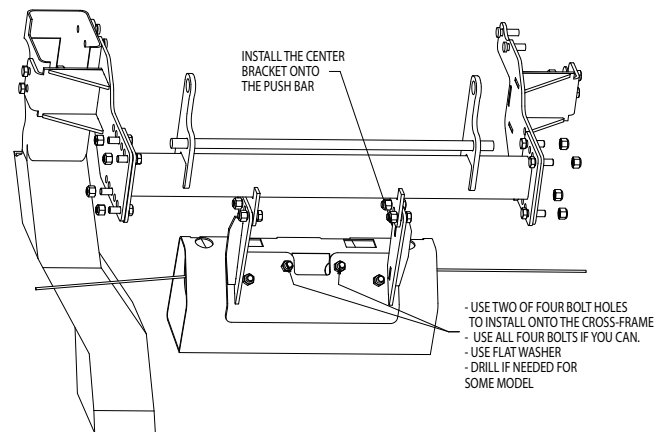
4. Repeat step #3 for the DS Side Plate.



5. Mount the **PUSHBAR** (1) in place between the two side plates using eight $\frac{1}{2}$ "-13x1-1/2" **BOLTS** (5) and eight $\frac{1}{2}$ "-13 **LOCK NUTS** (8). The centerline of the Pushbar Crosspin should be approximately 9" to 10" from the ground. The air dam of the vehicle may need to be altered to accommodate this height. Improper mounting height will result in uneven cutting edge wear.






6. Install the Center Bracket onto the push bar (loosely) with four $\frac{1}{2}$ " Bolts and Nuts (5&8). Toward the rear of the bracket, choose two of four holes to install onto the cross-frame. Secure it onto the cross-frame of the truck with two bolts-stick (6) and two nuts (9) with two washers.



7. It may be helpful to route the plow and light control harnesses at this point, prior to bumper re-installation.

8. Torque all fasteners as shown in the chart. Check and re-torque all fasteners after 5 hours of usage to ensure safe plow operation. Ensure all coolant lines and wires are clear of moving or hot components and tie up as necessary.

Recommended Fastener Torque Chart (ft.-lb.)			
Size	 SAE Grade 2	 SAE Grade 5	 SAE Grade 8
1/4-20	6	9	13
5/16-18	11	18	28
3/8-16	19	31	46
3/8-24	24	46	68
7/16-14	30	50	75
1/2-13	45	75	115
9/16-12	66	110	165
5/8-11	93	150	225
3/4-10	150	250	370
7/8-9	150	378	591
1-8	220	583	893

Metric Grade 8.8 (ft.-lb.)			
Size	Torque	Size	Torque
M6	7	M12	60
M8	17	M14	95
M10	35	M16	155

These torque values apply to fasteners except those noted in the instruction.

WARNING

- DO NOT under any circumstances disable, remove or relocate any sensors or components related to the operation of the air bags.
- Always follow the vehicle manufacturers' recommendations relating to snowplow installation.
- To comply with Federal Regulations and to assure a safe vehicle, the Front Gross Axle Weight Rating (FGAWR), Rear Gross Axle Weight Rating (RGAWR), and the Gross Vehicle Weight Rating (GAWR) must not be exceeded at any time.
- Due to the variety of equipment that can be installed on this vehicle, it is necessary to verify that the Front Gross Axle Weight Rating (FGAWR), Rear Gross Axle Weight Rating (RGAWR), and the Gross Vehicle Weight Rating (GAWR) are not exceeded at any time. This may require weighing the vehicle and adding ballast as necessary. It may also limit payload capacity of the vehicle. It is the operator's responsibility to verify that these ratings are not exceeded.

CAUTION

- Read all instructions prior to assembly
- It is critical that all fasteners be properly torqued for safe plow operation – see chart above.
- Fasteners should be retorqued after 5-8 hours of plow use

FULL TWO-YEAR WARRANTY

Manufacturer will repair, or at manufacturer's discretion will replace any part of this snowplow which proves to be defective in workmanship or material under normal use for a period of one year from the date of delivery to the original purchaser. Any cost incurred in returning the product to the supplier is the responsibility of the consumer.

EXCLUSIONS

Manufacturer shall not be liable for special, incidental, or consequential damages, or for damages resulting from lack of necessary maintenance, from misuse, abuse, acts of God, or alteration of the product. Some states do not allow the exclusion or limitation of incidental or consequential damages, so the above limitation or exclusion may not apply to you.