

MOUNT KIT

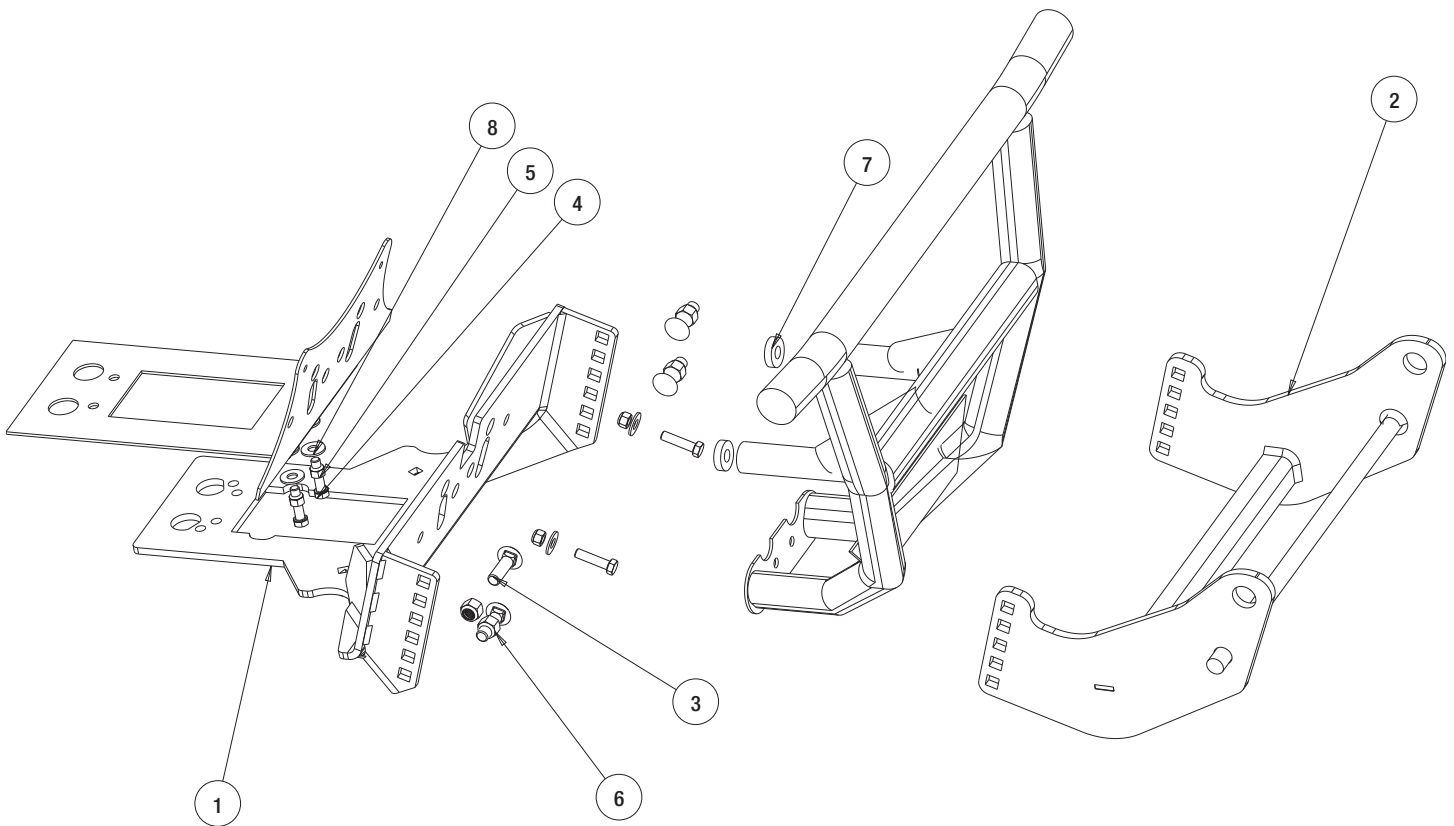
16067740

POLARIS GENERAL 1000
2016+



SnowDogg[®]
by **Buyers**

SNOW PLOW TRUCK MOUNT INSTALLATION MANUAL

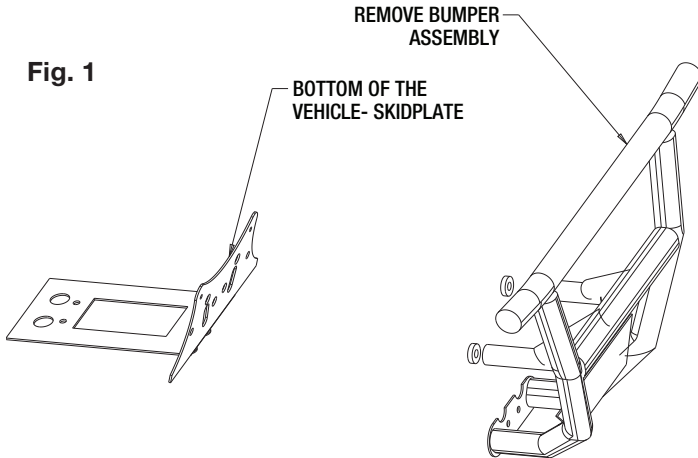


Parts List

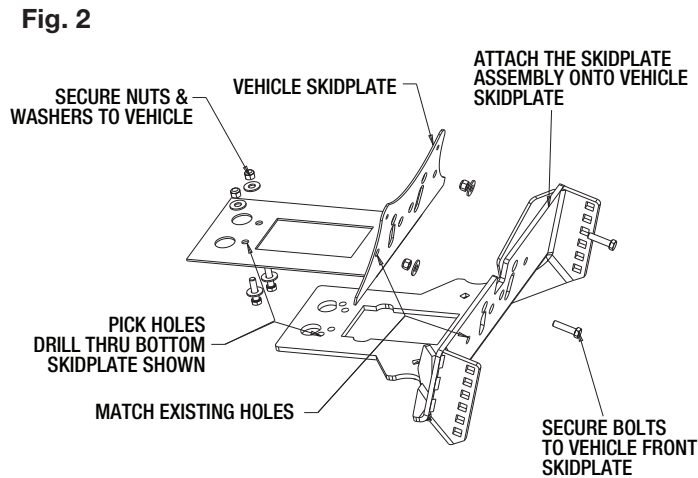
| ITEM | PART NO. | QTY. | DESCRIPTION |
|------|--------------|------|---------------------------------------|
| 1 | 16067742 | 1 | SKIDPLATE, MAIN, POL GENERAL |
| 2 | 16067741 | 1 | PUSHBAR, POLARIS GENERAL |
| 3 | 3029357 | 4 | BOLT, CARRIAGE 1/2-13 X 1.75 GR8 ZN |
| 4 | 3035681 | 4 | SCREW, HX HD CAP 3/8-16 X 1-1/2 G8 ZN |
| 5 | FNE038016044 | 4 | NUT, NYLOCK 3/8-16 X 7/16 ZINC |
| 6 | 3002397 | 4 | LOCKNUT, HEX NYLOCK, 1/2-13 ZN, G8 |
| 7 | 3051014 | 2 | SPACER, ROUND, POL GENERAL |
| 8 | FWF038100007 | 6 | WASHER, FLAT 3/8 USS ZINC |

INSTRUCTIONS

1. Remove the front bumper assembly in front of the vehicle by loosening 4 bolts & nuts.

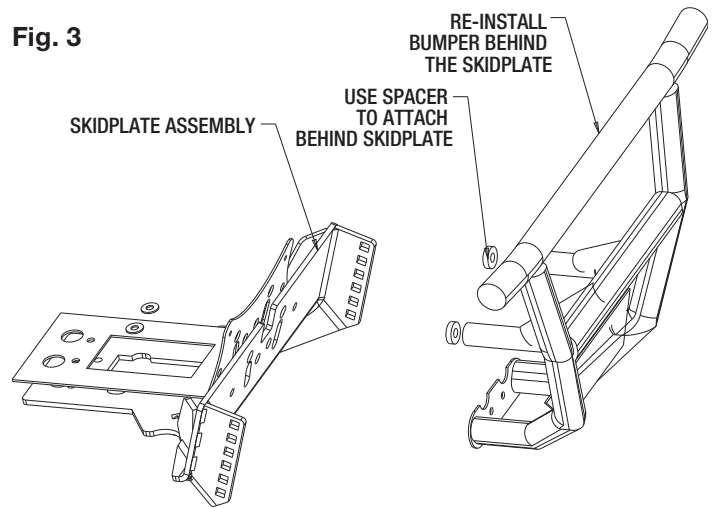


2. Position the Skid Plate bracket with the Front Bumper holes. Drill through 2 holes in the bottom. Secure the Skid Plate bracket with four 3/8" bolts and nuts provided.



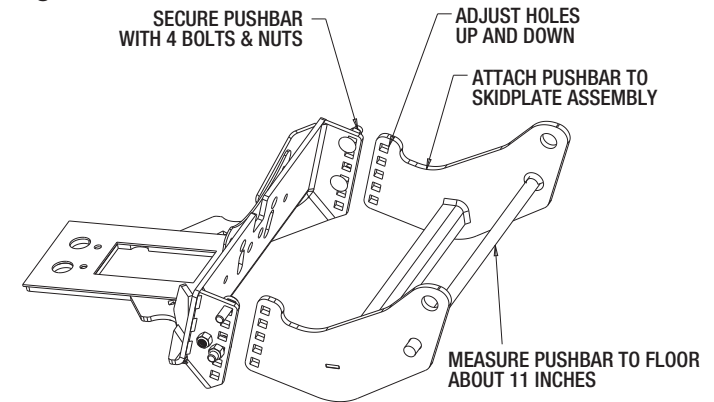
3. Install the bumper assembly back behind the skid plate assembly. Two round spacers are needed to accommodate for the additional thickness from the skidplate assembly.

Fig. 3






4. Attach the Pushbar bracket to the Skid Plate and adjust it to a desired height of about 11 inches from the floor. Secure with four carriage bolts (4) and four nuts (7).

Fig. 4



5. Torque all fasteners as shown in the chart. Check and re-torque all fasteners after 5 hours of usage to ensure safe plow operation.

6. It may be helpful to route the plow and light control harnesses at this point, prior to bumper reinstallation

| Recommended Fastener Torque Chart (ft.-lb.) | | | |
|--|---|---|--|
| Size |  SAE Grade 2 |  SAE Grade 5 |  SAE Grade 8 |
| 1/4-20 | 6 | 9 | 13 |
| 5/16-18 | 11 | 18 | 28 |
| 3/8-16 | 19 | 31 | 46 |
| 3/8-24 | 24 | 46 | 68 |
| 7/16-14 | 30 | 50 | 75 |
| 1/2-13 | 45 | 75 | 115 |
| 9/16-12 | 66 | 110 | 165 |
| 5/8-11 | 93 | 150 | 225 |
| 3/4-10 | 150 | 250 | 370 |
| 7/8-9 | 150 | 378 | 591 |
| 1-8 | 220 | 583 | 893 |

| Metric Grade 8.8 (ft.-lb.) | | | |
|-----------------------------------|--------|------|--------|
| Size | Torque | Size | Torque |
| M6 | 7 | M12 | 60 |
| M8 | 17 | M14 | 95 |
| M10 | 35 | M16 | 155 |

These torque values apply to fasteners except those noted in the instruction.

WARNING

- DO NOT under any circumstances disable, remove or relocate any sensors or components related to the operation of the air bags.
- Always follow the vehicle manufacturers' recommendations relating to snowplow installation.
- To comply with Federal Regulations and to assure a safe vehicle, the Front Gross Axle Weight Rating (FGAWR), Rear Gross Axle Weight Rating (RGAWR), and the Gross Vehicle Weight Rating (GAWR) must not be exceeded at any time.
- Due to the variety of equipment that can be installed on this vehicle, it is necessary to verify that the Front Gross Axle Weight Rating (FGAWR), Rear Gross Axle Weight Rating (RGAWR), and the Gross Vehicle Weight Rating (GAWR) are not exceeded at any time. This may require weighing the vehicle and adding ballast as necessary. It may also limit payload capacity of the vehicle. It is the operator's responsibility to verify that these ratings are not exceeded.

CAUTION

- Read all instructions prior to assembly
- It is critical that all fasteners be properly torqued for safe plow operation – see chart above.
- Fasteners should be retorqued after 5-8 hours of plow use

FULL TWO-YEAR WARRANTY

Manufacturer will repair, or at manufacturer's discretion will replace any part of this snowplow which proves to be defective in workmanship or material under normal use for a period of two year from the date of delivery to the original purchaser. Any cost incurred in returning the product to the supplier is the responsibility of the consumer.

EXCLUSIONS

Manufacturer shall not be liable for special, incidental, or consequential damages, or for damages resulting from lack of necessary maintenance, from misuse, abuse, acts of God, or alteration of the product. Some states do not allow the exclusion or limitation of incidental or consequential damages, so the above limitation or exclusion may not apply to you.