

SnowDogg® Snowplow Headlight Adapter

INSTALLATION INSTRUCTIONS

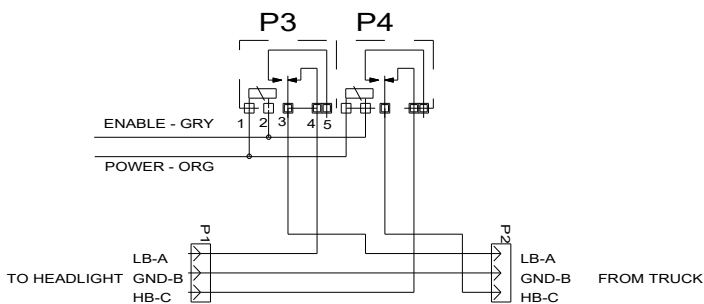
16071230

FORD SUPER DUTY 2017+ **HALOGEN** H13 LOWER AUXILIARY HARNESS
(TO BE USED WITH 16071100 H13 HEADLIGHT ADAPTER)

NOTE: THIS HARNESS IS ONLY FOR THE HALOGEN LIGHTING SYSTEM

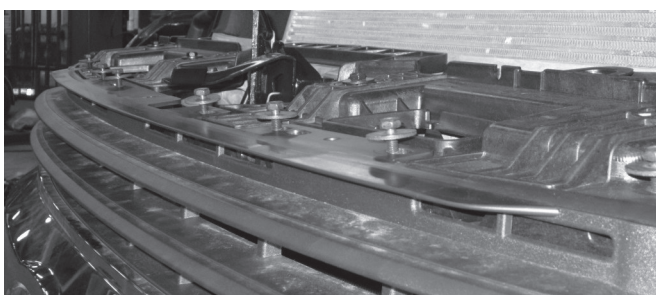
This installation does not require any modification or splicing into truck OEM wiring but does require tapping into wires in the 16160100 relay harness.

This harness cuts off power to the LOWER lights on the truck when the plow is connected. If the plow is disconnected while the truck is running, the LOWER lights may be disabled until the truck is restarted.

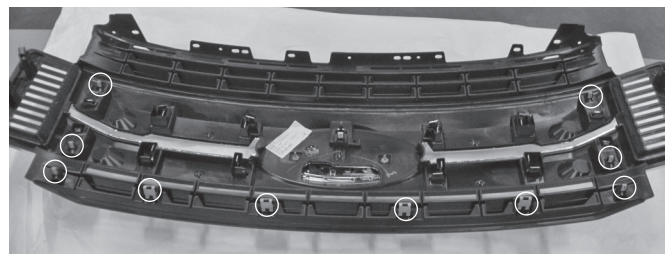
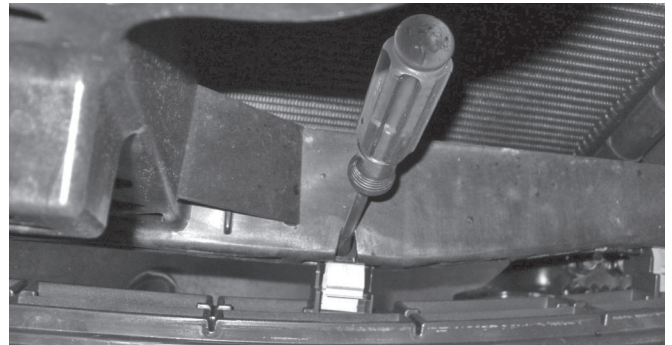


INSTRUCTIONS

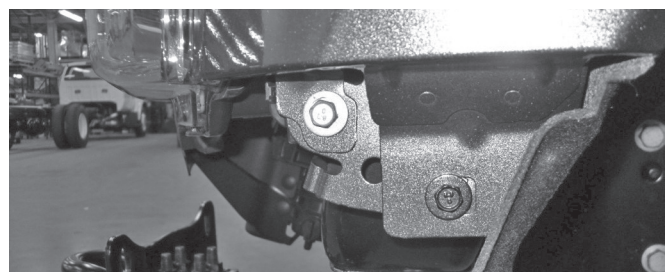
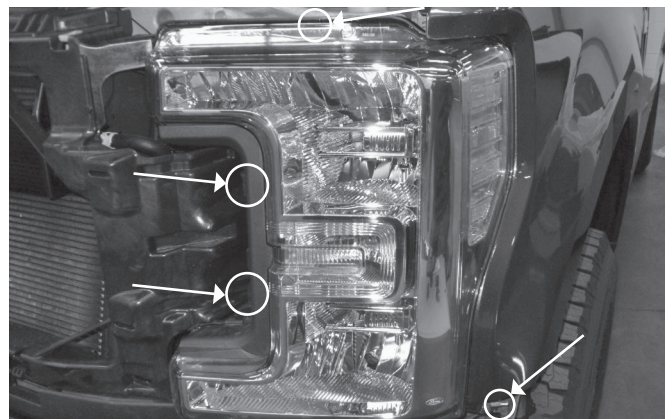
1. Check all light functionality before working on the truck.
2. Remove the bumper
3. Remove the plastic guard and the fasteners securing the grill.



4. Remove the grill – the grill is secured with clips – the 4 lower clips must be released as shown below. No screws are used to secure the grill.



5. Unfasten the headlights – there are four fasteners located as shown below. Secure the headlights so they do not fall.



6. Disconnect the GRAY vehicle harness from the upper headlamp and install the 16071100 kit between truck harness and UPPER headlamp.

7. Check plow light functionality. Everything should work normally except that the LOWER headlights will not disable when the plow is connected.

8. Disconnect the BLACK vehicle harness from the LOWER headlights and install the 16071230 auxiliary harnesses between the truck harness and LOWER headlamp on both sides. Ensure that all connections are secure.

G1 PLOW - 16160100 RELAY HARNESS (OLD STYLE)

9a. Find the BLACK wire bundle coming out of the relay module (16160100), OLD STYLE – it is in the fatter harness leading to the grill connector.

10a. Insert 2 clip on bullet sockets into any of the BLACK wire.

11a. Find the ORANGE wire coming out of the relay module It should be connected to the RED/WHITE wire from the control harness.

12a. Install 2 clip on bullet sockets into the ORANGE wire.



NOTE: CONNECTING THE GRAY VEHICLE HARNESS TO THE 16071100 ADAPTER IS CRITICAL FOR PROPER OPERATION OF 16160800 LED PLOW LIGHTS. FAILURE TO DO SO MAY RESULT IN LIGHT FLICKERING.

G2 PLOW - 16160102 RELAY HARNESS (NEW STYLE)

9b. Find the WHITE/BLACK wire bundle coming out of the relay module (16160102) NEW STYLE, it is the fatter harness leading to the grill connector. You must connect between the relay module and plug.

10b. Insert 2 clip on bullet sockets into any of the WHITE/BLACK wires (16160102) NEW STYLE. You must connect between the relay module and plug.

to the end of 9b.

11b. Find the ORANGE wire coming out of the relay module. It should be connected to the RED/WHITE wire from the control harness.

12b. Install 2 clip on bullet sockets into the ORANGE wire.



13. Connect the GRAY WIRE with bullet connector from 16071230 to the CLIP ON CONNECTOR just installed in the BLACK or WHITE/BLACK wires.

14. Connect the ORANGE WIRES w/bullet connector from both sides to the socket connector just installed in the ORANGE wires.