

# Installation Instructions

## 16160900 SnowDogg LED Low Profile Plow Headlights with Integrated Flashers

Patent Pending

### Installation

There are two connectors on each light. The larger 5-pin connector plugs into the SnowDogg light harness. The smaller 2-pin connector is for the integrated warning lights and may not be used if not desired.

### Warning Lights Wiring (2-Pin Connector)

The warning lights use the same lights that are used for the parking lights. Operating the warning lights will disable the parking lights. To operate the warning lights, remove the heat shrink tubing protecting the RED and BLACK blunt cut wires and wire them as follows:

RED: Power (+) Connect to +12VDC through a LATCHING switch (5A min rating) to enable the warning lights

BLACK: Pattern (Mom+) Connect to +12VDC through a MOMENTARY switch (0.5A min rating) to change the flashing pattern

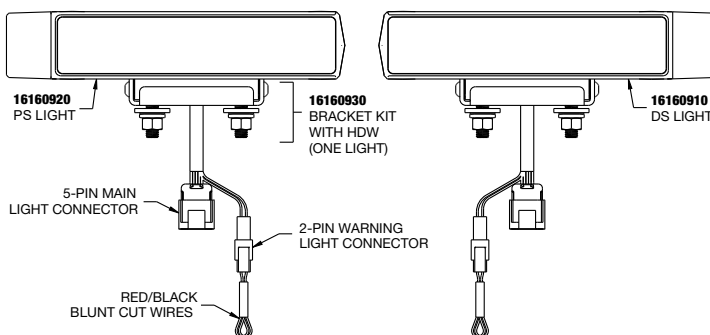
Note: There are two extra blunt cut wires (RED and BLUE) in the SnowDogg harness that can be used to power and control the warning lights. These two wires start at the 8-pin connector just before the relay module, travel through the grill connectors and end at both the DS and PS 5-pin light connectors.

### Flashing Patterns

There are five different flashing patterns. Momentarily providing +12VDC power to the BLACK signal line will change the flashing pattern. The lights will remember the last flashing pattern used when the power is disconnected.

### CAUTION

This light will become hot under continuous use. Do not remove or touch the casing for at least 30 minutes after turning the light off. Keep the heat sink clean and exposed to maintain airflow.



### 16160900 Replacement Parts

PART NO.	DESCRIPTION
16160910	Light, Driver Side
16160920	Light, Passenger Side
19160930	Bracket Kit w/HDW (one light)

### WARRANTY

Buyers Products Co. warrants all truck/trailer hardware manufactured or distributed by it, to be free from defects in material and workmanship for a period of one year from date of shipment. Parts must be properly installed and used under normal conditions. Any product which has been altered, including modification, misuse, accident or lack of maintenance will not be considered under warranty. Normal wear is excluded. The sole responsibility of Buyers Products Co. under this warranty is limited to repairing or replacing any part or parts which are returned, prepaid, and are found to be defective by Buyers Products Co. Authorization from Buyers Products Co. must be obtained before returning any part. No charges for transportation or labor performed on Buyers' products will be allowed under this warranty.