

The foot of each support leg must be squarely mounted ON or BETWEEN the floor ribs.

5. Mark both support leg foot holes on the floor of the truck and both support leg top holes on the end of the toolbox.

6. Repeat the leg placement and marking process at the other end of the toolbox. If you are mounting the lowsider box in a truck with a crossbody box, use the small aluminum mounting angle to connect the two boxes at the front end of the box. Leave 1/8 of an inch space between the doors of the two toolboxes.

7. Remove the toolbox from the truck and drill all the mounting holes in both the toolbox and truck bed with a 3/8" drill bit. Be careful not to drill in the gas shock inside of the box.

8. Fasten the support legs to the toolbox and install the toolbox onto the truck bed. Fasten the support leg feet to the floor and install the (2) "J" bolts as shown in Figure 2.

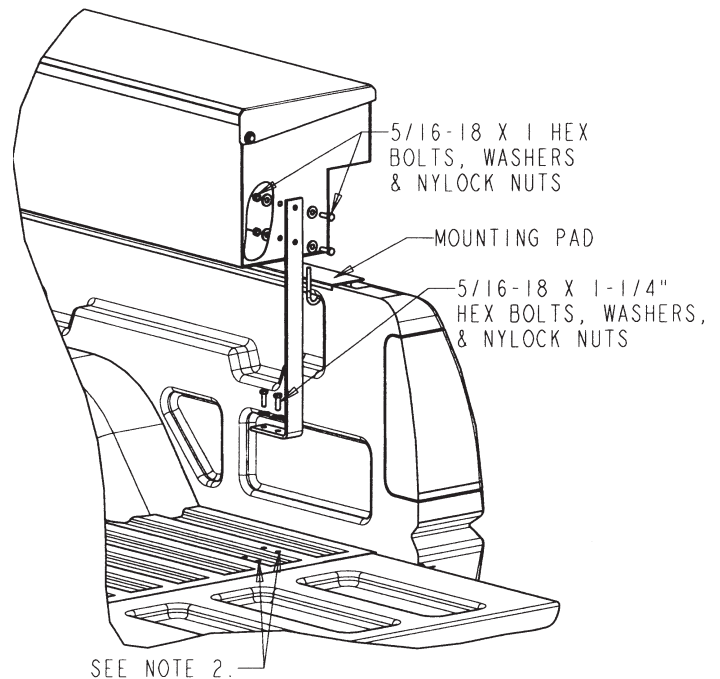


Fig. 1

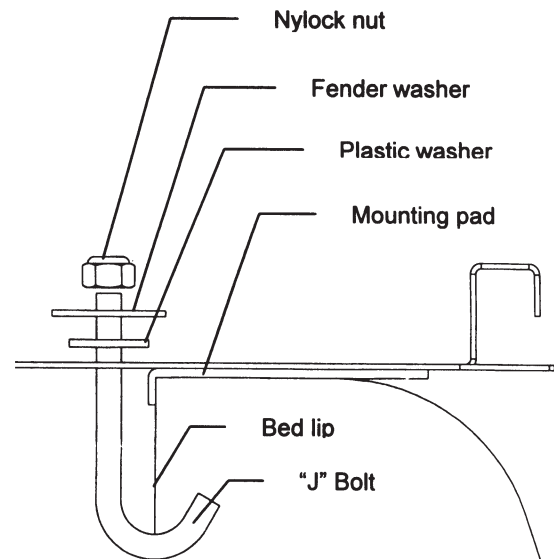


Fig. 2

WARNING

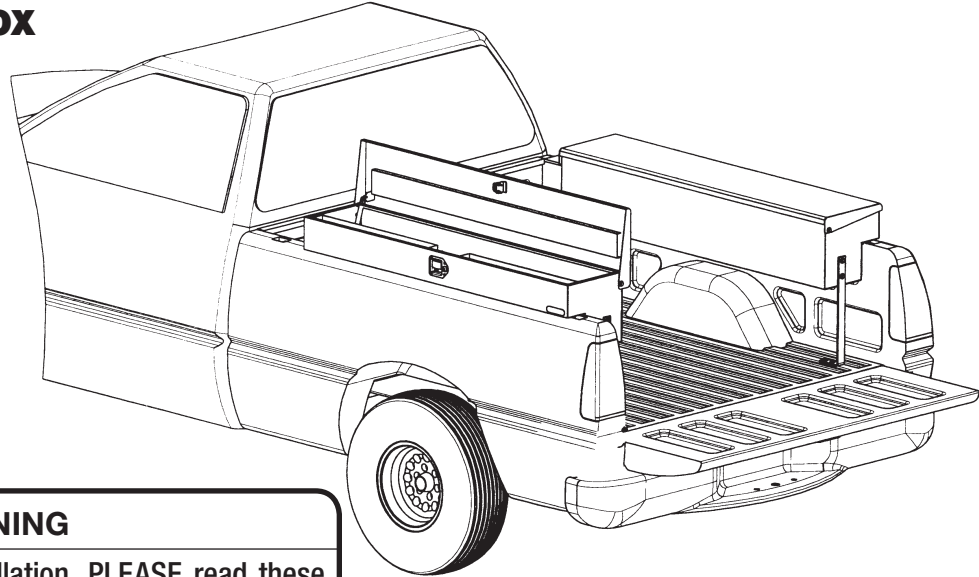
Check under the vehicle for locations of fuel tanks, fuel lines, brake lines, electrical wiring, etc., before drilling any holes. Floor bolts near a gas tank should be installed from the bottom of the truck to guard against puncturing the tank in the event of a collision.

Warranty

Buyers Products Co. warrants all truck/trailer hardware manufactured or distributed by it, to be free from defects in material and workmanship for a period of one year from date of shipment. Parts must be properly installed and used under normal conditions. Any product which has been altered, including modification, misuse, accident or lack of maintenance will not be considered under warranty. Normal wear is excluded. The sole responsibility of Buyers Products Co. under this warranty is limited to repairing or replacing any part or parts which are returned, prepaid, and are found to be defective by Buyers Products Co. Authorization from Buyers Products Co. must be obtained before returning any part. No charges for transportation or labor performed on Buyers' products will be allowed under this warranty.

.....Installation Instructions.....

Low-Side Toolbox



⚠ WARNING

Before you begin this installation, PLEASE read these instructions completely and carefully!

Tools Required:

- (2) 1/2" Open or Boxed End Wrenches
- Ratchet Wrench with 1/2" Deep Well Socket
- Electric Drill
- 3/8" Drill Bit
- Carpenter's Square
- Tape
- Utility Knife

⚠ DANGER

Do not use this toolbox for storing or transporting flammables, explosives, any hazardous waste, gasoline, solvents, propane tanks, acetylene tanks or cutting torches. This product is only intended for storing and transporting small tools and equipment. Any modification or unintended use of this toolbox could create a hazardous condition that could result in death, serious injury or property damage.

⚠ CAUTION

To keep foreign materials out of your eyes when working, drilling or checking the underside of the vehicle, always wear protective eyewear.

To prevent leaks, seal drilled holes with a silicone sealant all around each fastener.

- 1.** Park the vehicle on a level surface.
- 2.** Place the mounting pad in position on the top of the truck fender as shown in Figure 1. You may want to tape the pad to the fender to keep it from moving during installation.
- 3.** Place the toolbox in position on top of the truck bed. Support the rear of the box so it can stay in position safely by itself, by using scrap lumber or similar material. Make sure the box is level when viewed from the rear of the truck.

Fasten the support legs directly to the truck floor and not to any bed liner or floor mat.

- 4.** For maximum stability, position the first support leg as close to the rear corner of the box as practical and use a square to get proper vertical alignment. To maintain maximum floor usage, align the support leg with the edge of the wheel well.