

# Installation Instructions

## TGS05B

### SAFETY PRECAUTIONS

#### WARNING

Observe the following Safety Precautions before, during and after operating this spreader. By following these precautions and common sense, possible injury to persons and potential damage to this machine may be avoided.

1. Read this entire Owners Manual before operating this spreader.
2. Read all safety decals on the spreader before operating.
3. Verify that all personnel are clear of the spreader spray area before starting or operating this spreader.
4. Do not adjust, clean, lubricate or unclog material jams without first turning off the spreader.
5. Make sure the spreader is securely fastened to the vehicle in accordance with this manual.
6. Do not operate a spreader that is in need of maintenance or repairs.
7. Always disconnect the battery before removing or replacing electrical components.

### SPREADER ASSEMBLY

Check contents of box against parts list to make sure all components are included. When ordering replacement or spare parts refer to parts list for part numbers.

### INSTALLATION

1. Locate and mark center of tailgate.
2. Assemble Angles (18, 19) and Braces (20) as shown in Fig.1 Use 3/8" carriage bolts, flat washers and nuts. Do not tighten fasteners at this moment.
3. Center assembly on top of tailgate. Lower angle must be flush with top and inside surfaces of tailgate.
4. Position braces (20) on top of side rails. Using holes in braces as guides mark and drill holes for 3/8" screws.
5. Attach braces to side rails using 3/8" screws, flat washers and nuts.

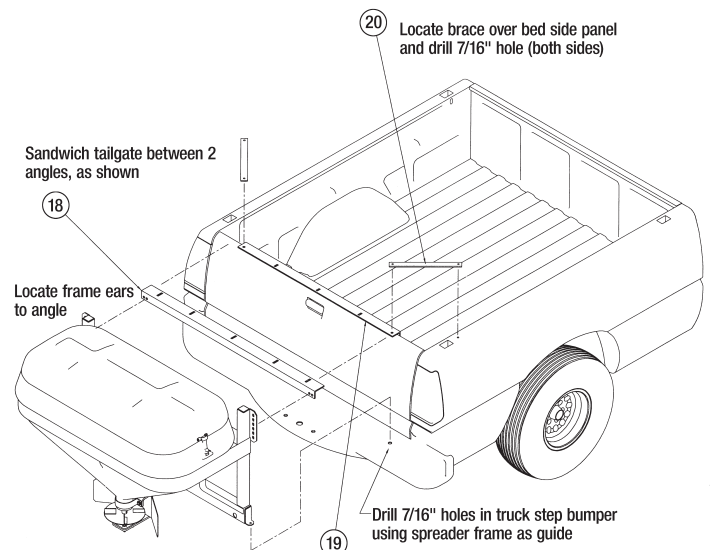


Fig. 1 Mounting

### Chart A Torque

BOLT NUT SIZE	TORQUE (FT-LBS)
1/4-20	6.0
5/16-18	11.0
3/8-16	20.0

6. Center spreader assembly on top of rear bumper and align with holes in Angle (18).
7. Using holes in spreader frame as guides, mark and drill holes for 3/8" screws in rear bumper.
8. Assemble spreader to Angle (18) and rear bumper. Adjust position of Angles (18, 19) to bring spreader into vertical position. Tighten all screws at this moment.

## ELECTRICAL INSTALLATION

### **WARNING!**

**Do not drill holes into fuel tanks, fuel lines, through electrical wiring, etc that may be damaged by drilling.**

To insure good performance of your spreader, check the condition of truck's electrical system. Using digital voltmeter, check alternator and battery voltage. With engine running and head lights and heater fan ON good voltage reading should fall between 13.0 and 15.3 volts. If voltage reading falls out of this range, check and adjust your electric system.

**NOTE: Always disconnect battery before attempting to install electrical components on your vehicle.**

- Mount the controller in a convenient location in the truck cab. It is recommended not to mount the controller directly in front of heat vents.
- Route both wire harnesses into truck cab through firewall (it maybe necessary to drill holes). Insulate hole to avoid water leaks.
- Insure no wires are nicked or damaged during installation.
- Connect the 4-pin connecter on the wire harness to the control box.
- Connect the 2-pin connector on the power cable to the control box.
- Lay out a path for the power cable to the battery, use quick ties to secure power cable. **DO NOT CONNECT TO BATTERY AT THIS TIME!**
- Lay out path for wire harness to the rear of the vehicle. It is recommended to stay clear of the exhaust system. Excess heat can damage the wire harnesses. Use quick ties to secure harness to underbody.
- Connect the wire harness to the motor.
- Connect the power and ground cables directly to the battery.
- Insure all functions of the controller are working properly.

Observe spinner direction of rotation. The correct direction is counter clock wise when looking inside hopper from the top. If direction is clock wise reverse wires between Motor and Wire Harness.

### **IMPORTANT!**

**Make sure all wires are securely attached to vehicle or spreader's frame. Use wire ties and/or wire clamps to attach wires. All excess wires must be rolled into bundles and attached to vehicle or spreader.**

## SPREADER MAINTENANCE

1. This spreader is designed to use loose free floating materials such as #1 dry Rock Salt. Using different grades and/or wet material will affect spreader performance. Wet material can "bridge" and stop floating onto spinner disk.
2. Make sure lid is installed and latches are secured when spreader is in use.
3. Do not leave material in hopper between uses.
4. Do not drive with material in hopper.
5. Always clean/ wash hopper and lubricate bearing at the end of the day.
6. Spray lubricant around motor shaft to prevent water from penetrating into the motor.
7. Apply dielectric grease to all electrical connectors between uses and for long term storage.

### **CAUTION!**

**DO NOT ATTEMPT TO INSTALL OR REMOVE SPREADER WITH MATERIAL IN IT.**

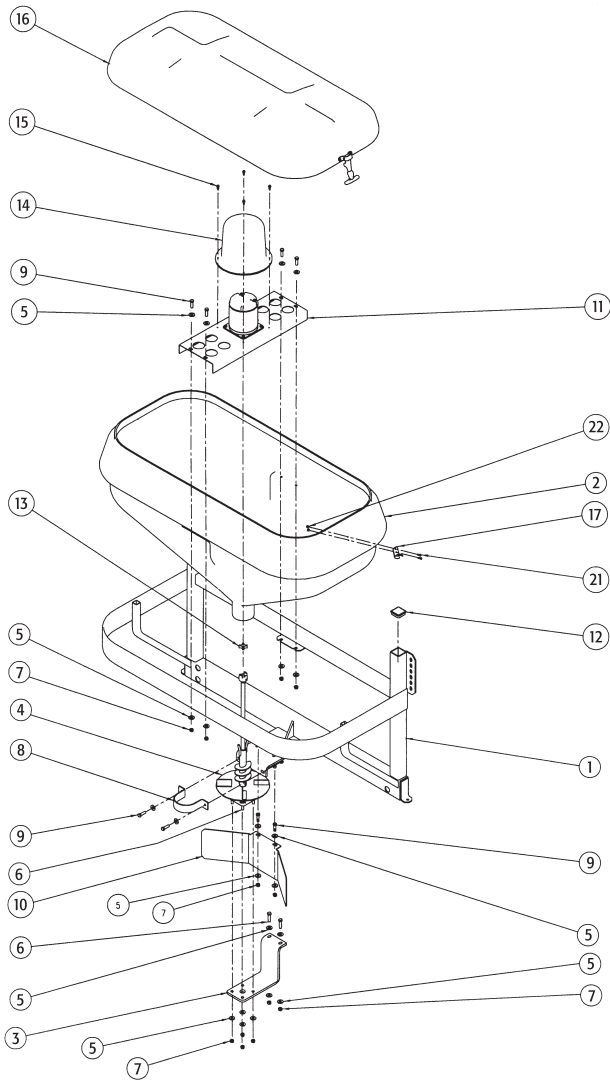


Fig. 2 Main Assembly

**Bill of Materials**

ITEM	PART NO.	QTY.	DESCRIPTION
1	3006702	1	Assembly, Frame Weldment TGS05B
2	3013285	1	Assembly, Hopper with Insert
3	3006707T	1	Bracket, Motor Mounting TGS05B
4	3003035	1	Shaft Assembly, TGS05 Auger
5	-	4	Washer, Flat 3/8 USS SST
6	-	4	Screw, HHC 3/8-16 x 2-1/2 Gr 5 Zp
7	-	8	Nut, Nylock 3/8-16 x 7/16 Zinc
8	0208260	1	Strap, TGS05 Hopper Support
9	-	1	Screw, HHC-3/8-16 x 1.25 Gr 5 Zinc
10	3002486	1	Shield Spinner TGS05A
11	3002502	1	Assembly Motor Drive TGS05A
12	BFP-321	1	Plug, 2" Square Closure
13	0208470C	1	Spider, Solid Center
14	3002495C	1	Cover Motor Drilled
15	-	1	Screw, Sheet Metal #12 x 3/4
16	3002511	1	Assembly Lid TGS05A
17	3000626P	1	Keeper Latch WJ201 Black
18	3002895	1	Mount Angle, Spreader
19	0200100	1	Mount Angle, Tailgate
20	0203100	1	Mount Brace
21	-	1	Screw, BHC #10-24 x .75 SST
22	-	1	Nut Elastic Stop 10-24 SS

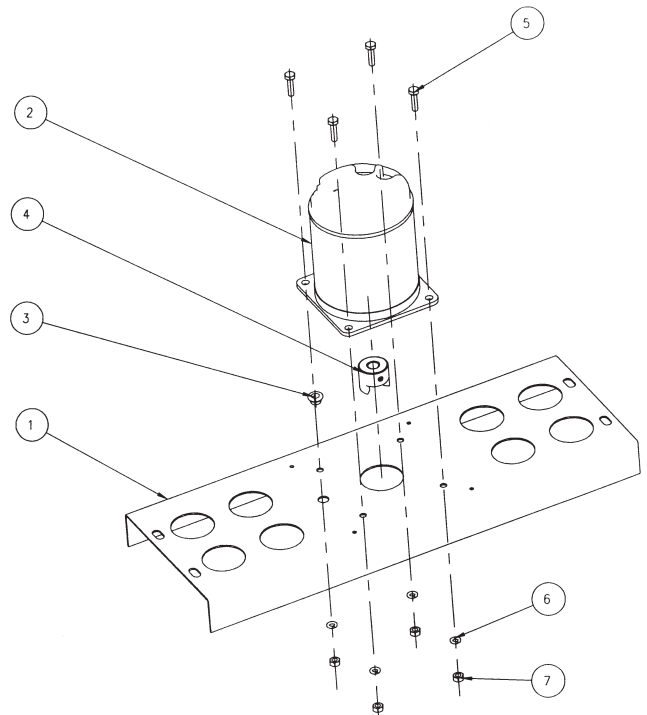
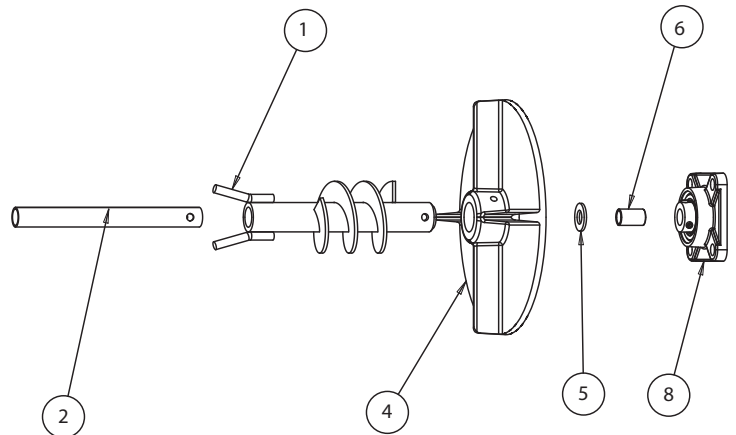
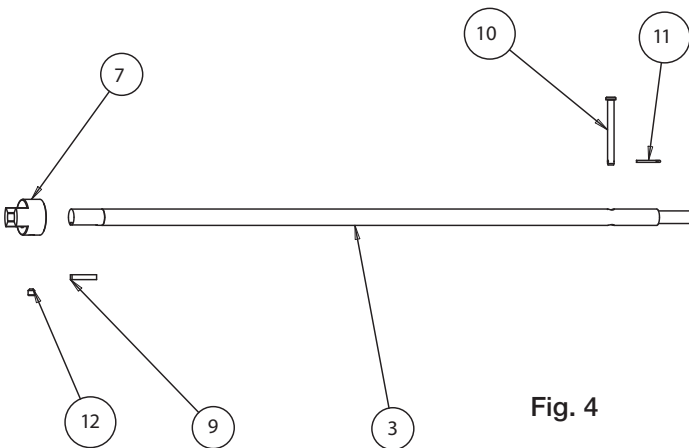
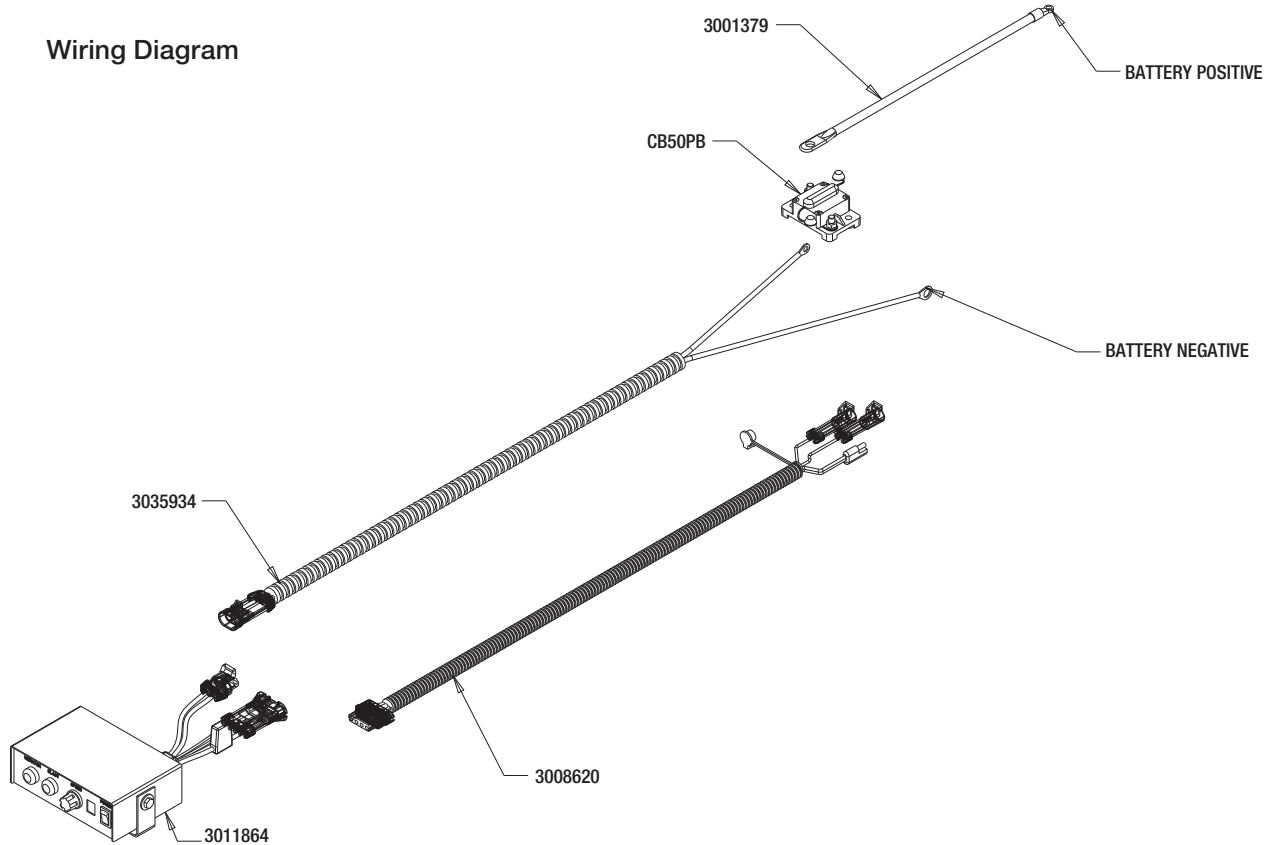


Fig. 3 Motor Base Assembly

**Bill of Materials**

ITEM	PART NO.	QTY.	DESCRIPTION
1	3002494	1	Channel Motor MTG
2	3009476	1	Motor
3	3011395	1	Bushing
4	0208470A	1	Assembly Coupling 1/2 Bore
5	-	4	Screw, Cap Hex HD 1/4-20 x SST
6	-	4	Washer, 1/4" Spring Lock SST
7	-	4	Nut Hex 1/4-20 SST

Wiring Diagram



Bill of Materials

ITEM	PART NO.	QTY.	DESCRIPTION
1	3007683	1	Auger Weldment, TGS05
2	0208460	1	Bushing, TGS05 Auger
3	0208360	1	Shaft, TGS05 Spinner
4	3005706	1	Spinner, Poly TGS01, TGS05, TGSUVPRO
5	-	1	Washer Flat 1/2" SAE Zinc
6	3004245	1	Bushing, Bronze Oilite, 1/2" ID x 5/8 ODx1"
7	0208470B	1	Assembly, Coupling 5/8" bore
8	3003032	1	Bearing, 5/8" bore, 4 hole
9	KS301	1	Key, 3/16 x 1 Sq.
10	1420014	1	Pin, Clevis 1/4 x 2.5
11	-	1	Cotter Pin, 5/64 x 3/4
12	-	1	Screw Set, Soc. Cup Point 1/4-20 x 1/4 SS

WARRANTY

Buyers Products Co. warrants all truck/trailer hardware manufactured or distributed by it, to be free from defects in material and workmanship for a period of one year from date of shipment. Parts must be properly installed and used under normal conditions. Any product which has been altered, including modification, misuse, accident or lack of maintenance will not be considered under warranty. Normal wear is excluded. The sole responsibility of Buyers Products Co. under this warranty is limited to repairing or replacing any part or parts which are returned, prepaid, and are found to be defective by Buyers Products Co. Authorization from Buyers Products Co. must be obtained before returning any part. No charges for transportation or labor performed on Buyers' products will be allowed under this warranty.