

Installation Instructions

Dump Body Spreader Stand

WARNING

- Stand may collapse if not properly supported
- Stay clear of stand during load/unload
- During truck load/unload spreader must be empty
- Never enter area under spreader stand

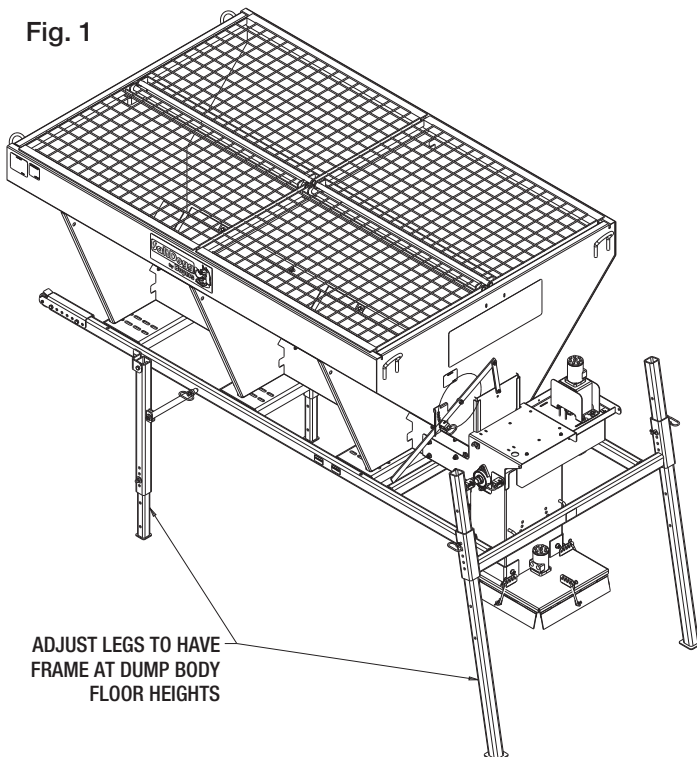
LOADING

1. Front and rear legs must be adjusted as shown in **Fig. 1**.
2. Back in with body tipped until wheels contact body floor, and front legs are lifted from the ground surface **Fig. 2**.
3. Lower body leaving only slight incline. Make sure front legs have no contact with ground surface. Remove pins from front legs, as shown in **Fig. 3**.
4. Back up until body contacts rear brackets or front rollers contact dump body bulkhead.
5. Lower body completely.
6. Pull pins on rear legs and raise them to the highest position. Secure rear legs using same pins, as shown in **Fig. 4**.
7. Secure spreader inside dump body using tie downs or other locking devices.

UNLOADING

Follow the above instructions in reverse order.

Fig. 1



WARNING

Pins must be secured at all times when spreader is unloading from truck.

Fig. 2

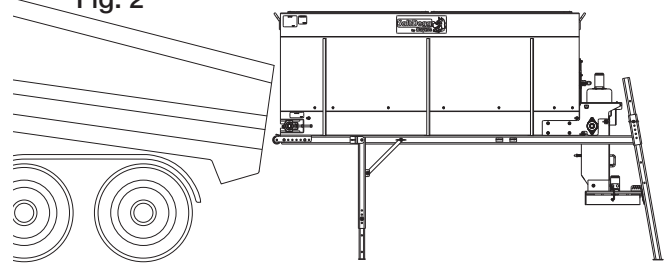


Fig. 3

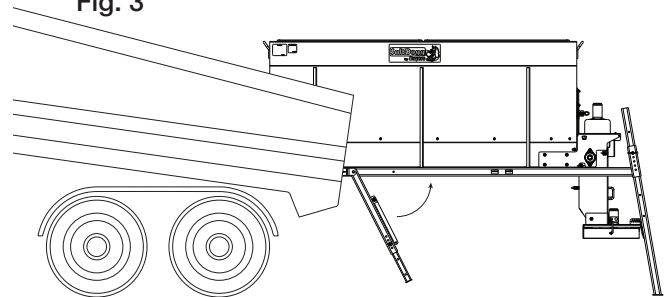
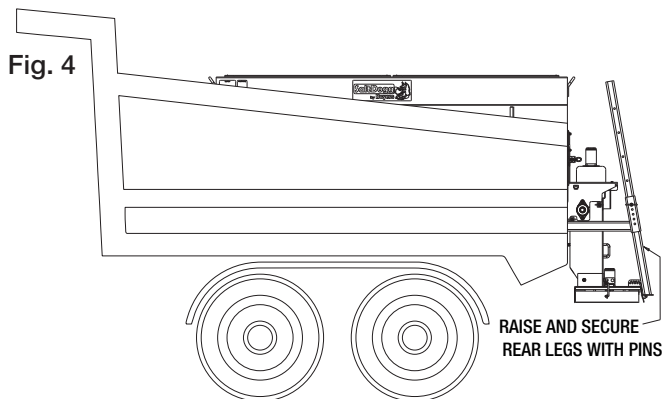


Fig. 4



WARRANTY

Buyers Products Co. warrants all truck/trailer hardware manufactured or distributed by it, to be free from defects in material and workmanship for a period of one year from date of shipment. Parts must be properly installed and used under normal conditions. Any product which has been altered, including modification, misuse, accident or lack of maintenance will not be considered under warranty. Normal wear is excluded. The sole responsibility of Buyers Products Co. under this warranty is limited to repairing or replacing any part or parts which are returned, prepaid, and are found to be defective by Buyers Products Co. Authorization from Buyers Products Co. must be obtained before returning any part. No charges for transportation or labor performed on Buyers' products will be allowed under this warranty.