

# Installation Instructions

## PRO3000 & PRO3000CH Series SaltDogg® Electric Drive Poly Hopper Spreader

**3.0 cubic yards**  
**U.S. Patent 9,562,333**

### Table of Contents

General Information .....	1
Safety Precautions .....	1
Installation Instructions .....	1-3
Spreader Operation .....	4
Spreader Maintenance .....	4-5
Repair Parts & Drawings .....	5-8
Warranty Information .....	8

### General Information

**Overall Length:** 125.7 inches  
**Overall Width:** 48.6 inches  
**Overall Height:** 46.1 inches  
**Empty Weight:** 902 lbs.  
**Capacity Struck:** 3.0 cu. yd.

### Vehicle Requirements

Trucks with minimum GVWR 13,000 lbs. (8 ft. bed),  
 150 AMP or higher alternator is recommended.

### Materials Recommended to Spread

#### Average Material Weights

<u>Materials to use</u>	<u>Weight (pounds per cubic yard)</u>
Fine Salt-Dry	2,250
Coarse Salt-Dry	1,431
Coarse Sand-Dry	2,565
Sand/Salt up to 50/50 Mix-Dry	2,700

**Note:** To calculate the total spreader weight (including ice control material), add the empty spreader weight plus the ice control material and spreader accessories.

### Safety Precautions

#### CAUTION

Do not overload vehicle beyond the vehicle's GVWR or GAWR. Check vehicle's load rating certification sticker for maximum vehicle capacity.

#### WARNING

Improper installation and operation could cause personal injury, and/or property damage. Observe the following Safety Precautions before, during and after operating this spreader. By following these precautions and common sense, possible injury to persons and potential damage to this machine may be avoided.



- 1.** Read the entire Installation Instructions before operating this spreader.
- 2.** Read and understand all safety decals on the spreader before operating.
- 3.** Check to make sure all safety guards are securely mounted into place before operating this spreader.
- 4.** Verify that all personnel are clear of the spreader spray area before starting or operating this spreader.
- 5.** Do not over-load your vehicle beyond payload limits. If there are any questions, contact the vehicle manufacturer.
- 6.** Do not adjust, clean, lubricate or unclog material jams without first turning off the spreader.
- 7.** Do not climb on or in the spreader during operation. Do not ride on the spreader while the vehicle is in motion.
- 8.** Make sure the spreader is securely fastened to the vehicle in accordance with this manual.
- 9.** Do not operate a spreader that is in need of maintenance or repairs.
- 10.** Do not operate the spreader while ill, tired, or under the influence of alcohol or drugs.
- 11.** Batteries normally produce explosive gases which can cause personal injury. Always disconnect the battery before removing or replacing electrical components.
- 12.** Do not leave unused material in hopper. Material can freeze or solidify, causing spreader to not work properly, and/or damage the unit. Empty and clean after each use

#### CAUTION

It is recommended to install Backup Alarm on trucks to be up fitted with spreaders.

## Installation Instructions

### 1. Mounting the Spreader onto the Vehicle

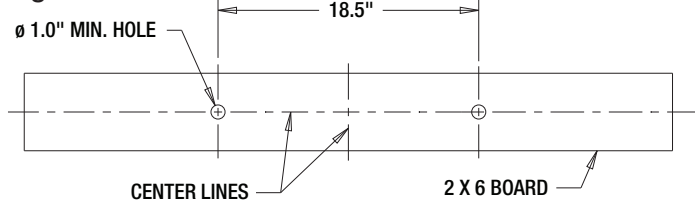
- A.** Remove the tailgate from the vehicle (if equipped) as well as any other object which will interfere with the spreader.
- B.** Check truck's bed for all kinds of sharp debris or foreign objects. They can cut and seriously damage poly hopper.
- C.** Remove chute, hardware box from inside spreader. If spreader has been used make sure there is no material left in the hopper.

### CAUTION

Never lift spreader with material in the hopper

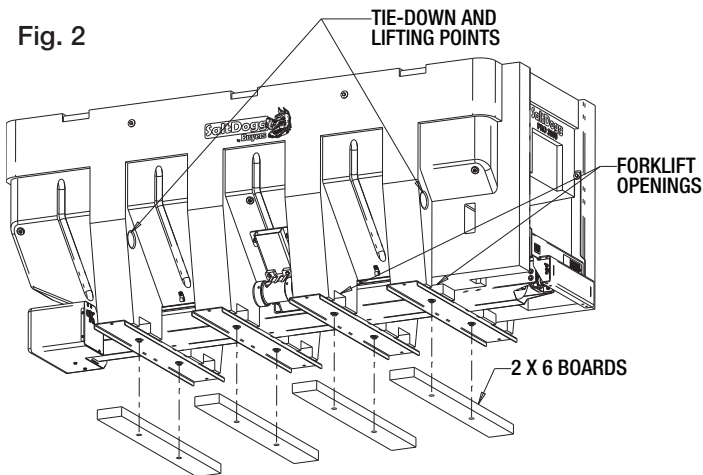
- D.** Prepare 4 boards as shown in Figure 1. The board size is 2" x 6", 49" long minimum (cross boards from shipping pallet can be used). Boards can be as long as the inside width of trucks body.

Fig. 1



- E.** Next, set the spreader in the truck body. Use four tie-downs to lift the spreader (Figure 2). Rectangular openings on the bottom of support legs can also be used to lift spreader using forklift.

Fig. 2



- F.** Lower spreader onto 2" x 6" boards positioned in truck bed. Make sure that bolt heads in stainless steel cross members would go into boards openings (Figure 1). Attach chute to the spreader (Figure 3). Remove one pin and rotate chute as shown in Figure 4. Make sure that chute doesn't hit any part of the truck in both positions. Adjust spreader forwards or backwards if needed for proper clearance.
- G.** Make sure the spreader is centered from side to side and rear legs rest fully on trucks body.
- H.** Using holes in cross members fasten spreader to the boards and vehicles body.

Fig. 3

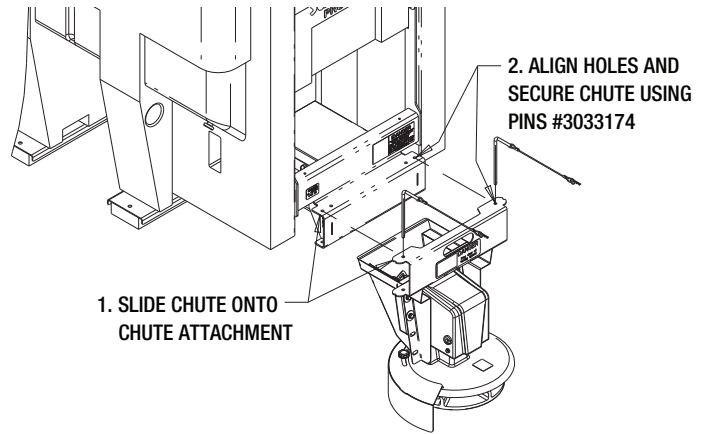
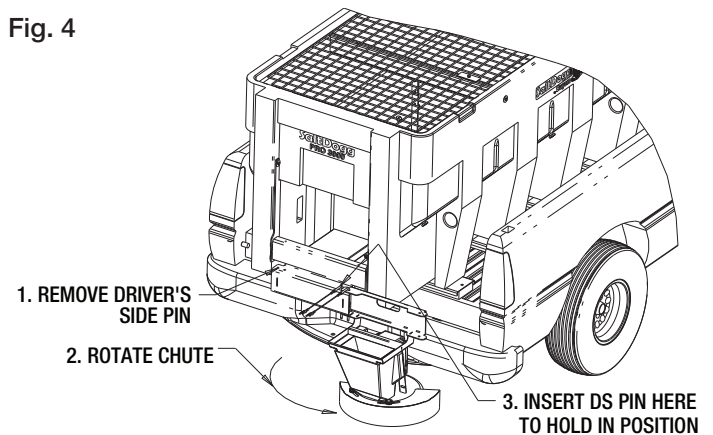


Fig. 4



- I.** Measure the distance from the front of the truck bed to the front of the hopper's front legs. Fabricate spacer to fit between front of the spreader and front of the bed using 2 x 8 boards and install it between the spreader and truck bed front wall as shown in Figure 5.
- J.** In addition, secure spreader using four ratchet straps. Attach straps to tie-downs. Tighten straps evenly.

### WARNING

Important! Do not use ratchet straps or tailgate latch exclusively! Always fasten spreader to the vehicle!

### CAUTION

Inspect straps and hardware after each time spreader is loaded. Tighten straps and hardware if necessary.

Fig. 5

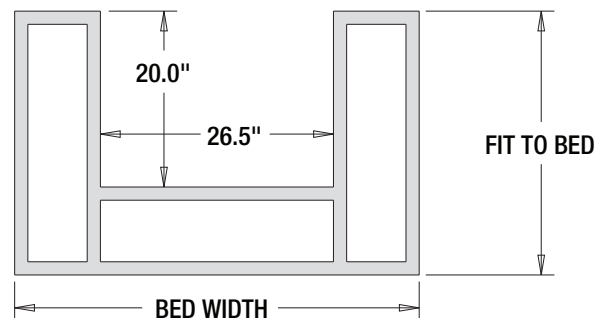
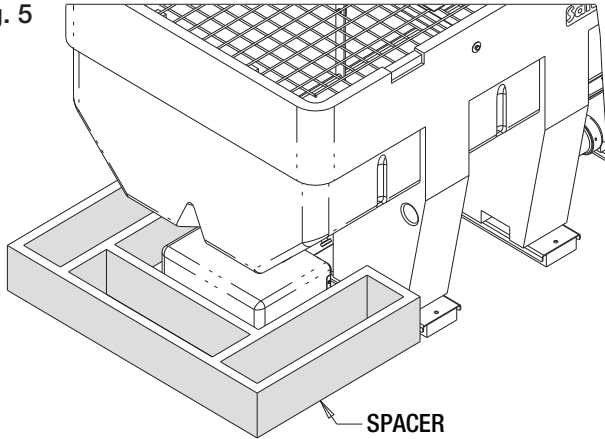


Fig. 5



**2. Control Box and Vehicle Wiring Harness Installation**

**Note:** Make sure you have connected the proper wire color. This is a wire ground electrical system! No Connections to truck's frame or body allowed!

**⚠ WARNING**

Do not drill holes into fuel tanks, fuel lines, through electrical wiring, etc that may be damaged by drilling. To insure good performance of your spreader, check the condition of truck's electrical system. Using digital voltmeter, check alternator and battery voltage. With engine running and head lights and heater fan ON good voltage reading should fall between 13.0 and 15.3 volts. If voltage reading falls out of this range, check and adjust your electric system.

**Note:** Always disconnect battery before attempting to install electrical components on your vehicle

**A.** Mount the controller in a convenient location in the truck cab. It is recommended not to mount the controller directly in front of heat vents. Allow ample air space around controller

**⚠ CAUTION**

Do not mount controller in the way of air bag deployment!

**B.** Route both wire harnesses into truck cab through firewall (it may be necessary to drill holes). Insulate hole to avoid water leaks.

**C.** Ensure no wires are nicked or damaged during installation.

**D.** Connect the 4-pin connector on the wire harness to the control box 4-pin connector.

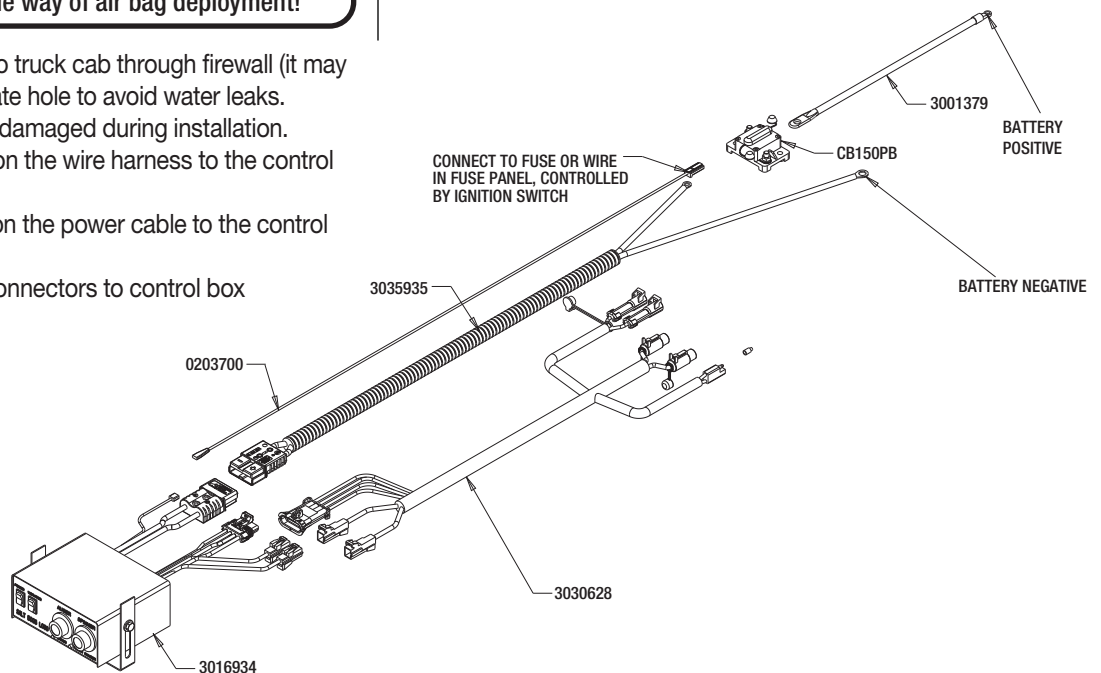
**E.** Connect the 2-pin connector on the power cable to the control box mating connector.

**F.** Connect wire harness single connectors to control box connectors.

- G.** Connect fuse connector to the fuse terminal or ignition switch (5 AMP max).
- H.** Layout a path for the power cable to the battery, use quick ties to secure power cable. **DO NOT CONNECT TO BATTERY AT THIS TIME!**
- I.** Layout path for wire harness to the rear of the vehicle. Stay clear of the exhaust system. Excess heat can damage the wire harnesses. Use quick ties to secure harness to underbody.
- J.** Connect the wire harness to the motors and vibrator. Make sure wire colors on wire harness match colors on the motor.
- K.** Thoroughly clean battery terminals. Make sure battery terminals have no tarnish or corrosion. **DO NOT CONNECT WIRE HARNESS TO DAMAGED OR CORRODED TERMINALS! IT MAY RESULT IN OVERHEATING, LOST POWER AND POTENTIAL CONTROLLER DAMAGE!** Install the circuit breaker within 12" from the battery. Connect red wire from cable 3035935 and battery cable 3001379 to circuit breaker according to the breaker markings. Connect the power cable and battery cable directly to the battery. Make sure connection to battery terminals is good and tight. Loose connection to battery terminals will result in sparking, overheating and possible battery damage!
- L.** Ensure all functions of the controller are working properly.
- M.** Observe auger/ chain moving in proper direction. If direction is wrong reverse wires between Motor and Wire Harness.
- N.** Optional spotlight (5 AMP max) can be installed on spreader. Use utility light kit part number 3018009. Remove cap from single white wire. Connect light to this wire and the trucks frames known ground (negative).

**⚠ IMPORTANT**

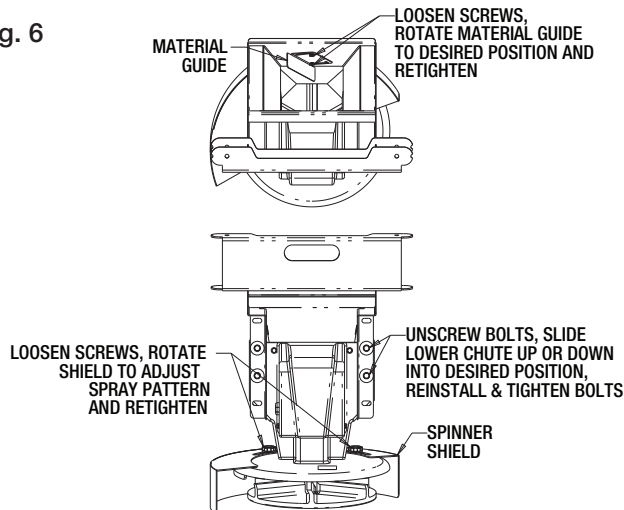
Make sure all wires securely attached to vehicle or spreader. Use wire ties and/or wire clamps to attach wires. All excess wires must be rolled into bundles and attached to vehicle or spreader



## Spreader Operation

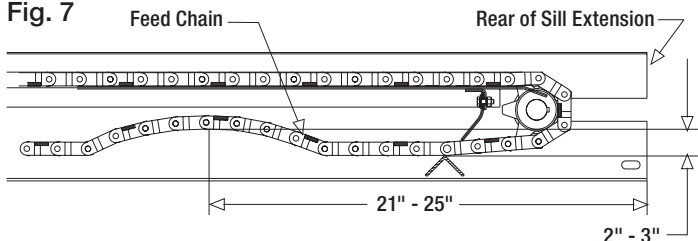
1. PRO3000 is equipped with a dual independent speed controller. To start spreader, press "POWER" switch. Switch will be illuminated. Auger/ chain and spinner will start rotating. Auger and spinner can be adjusted independently.
2. To activate vibrator press "VIBRATOR" switch, vibrator switch will illuminate. Vibrator can operate continuously for 30 min max with 15 min brakes to avoid overheating.
3. To stop spreader press "ON-OFF" switch again.
4. PRO3000 controller is equipped with electronic overload and current spike protection. Controller is not serviceable. Controller has two LED lights: "ERROR" and "FLASH NUMBER". If there is a problem the ERROR LED will illuminate, and FLASH NUMBER LED will give a series of flashes. Count the number of flashes and refer to the troubleshooting guide provided with the controller. Additionally, you can go online for the troubleshooting codes by searching the controller part number at <https://www.buyersproducts.com/manuals>.
5. The spread pattern can be controlled by repositioning of the shield on the chute as shown in Figure 6. The spread pattern may also be controlled by adjusting the material guide left and right. The guide may be removed and reversed for additional adjustment. The chute height can also be adjusted to accommodate different vehicle heights (Figure 6).

Fig. 6



6. PRO3000CH: Check the Feed Chain tension periodically. To check the tension, measure in 21"-25" from the rear edge of the gear box mount. Push up on the chain with your hand. The conveyor chain should lift up 2"-3" off the conveyor chain guide or cross angles (Figure 7).

Fig. 7



## WARNING

Never attempt to lift spreader with material in hopper!

## WARNING

Never leave material in hopper for extended period of time. Material can freeze, solidify and seriously damage the spreader

## Spreader Materials

### IMPORTANT

Only use dry salt, sand, or sand/salt mixes in the spreader. Other materials could cause damage to the machine.

The density of materials that can be loaded into the spreader varies and therefore so will the amount of a given material that can be carried by the spreader before the maximum load rating is reached.

### IMPORTANT

When filling the spreader, do not exceed the gross-vehicle-weight rating (GVWR) or gross-axle-weight rating (GAWR).

1. Ensure that the spreader is securely mounted to the vehicle and that the top screen is installed and secured in the hopper.
2. Remove the tarp, if used.
3. Determine the amount of material that you can safely transport using your vehicles GVWR/GAWR and the following table on page 1.
4. Fill the spreader evenly with your material, making sure not to fill past the top of the hopper.

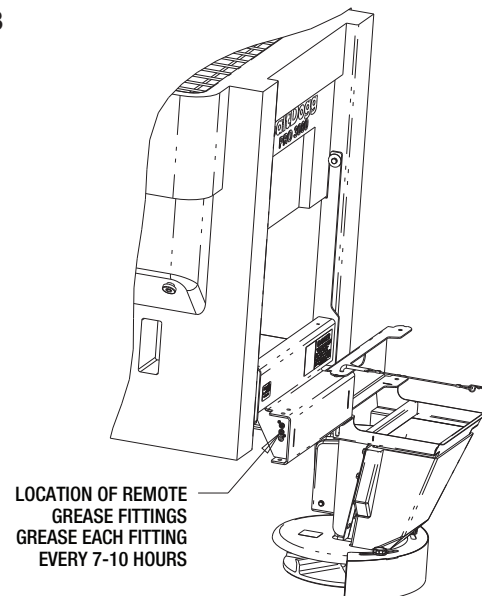
### IMPORTANT

Overfilling the hopper could damage the spreader & your vehicle.

## Spreader Maintenance

1. Wash spreader after every use. Make sure no material is left under auger/ chain and/or inside trough.
2. Inspect and retighten fasteners after every 5-7 hours of operation.
3. Lubricate bearings every 7-10 hours of operation using general automotive grease. The PRO3000 & PRO3000CH are equipped with a remote greasing system. See Figure 8 for grease fitting location.

Fig. 8





4. Inspect terminals/connectors every time you disconnect spreader from wire harness. Apply thin layer of dielectric grease on terminals. If any tarnish/corrosion is found, clean terminals and apply dielectric grease.
5. Use dielectric grease on all electrical connectors before an electrical connection is made or after connector is disconnected
6. Empty the spreader of all ice control materials when not in use. Wash out the spreader to prevent material builds up.
7. It is recommended to cover spreader with the tarp during storage periods

### End of Season Maintenance

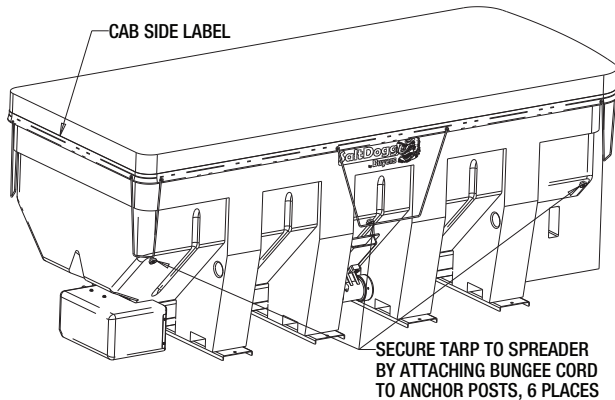
1. Wash spreader. Make sure no material or residue is left in and outside the hopper.
2. Lubricate bearing using general automotive grease.
3. Inspect wire harness, connectors for broken insulation, missing components. Replace if necessary.
4. Apply dielectric grease on all electrical connectors.
5. Store hopper indoors, in a dry, cool place.
6. Remove controller from truck. Store controller indoors, in a dry cool place.
7. Inspect wire near connectors. Check for broken or missing insulation. Check for tarnished or corroded wires. Trim corroded wires and replace connectors if necessary

### Summer Storage

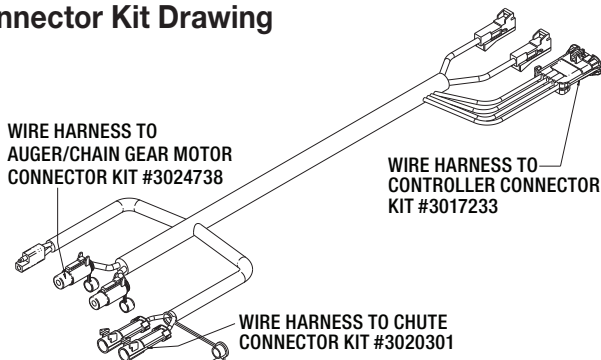
1. Apply dielectric grease or similar protective compound on all electrical connectors & protect them with caps before storage.
2. Disconnect and remove speed controller from vehicle and store it in dry and cool place. Protect controller from excessive heat and moisture.
3. Clean hopper and trough from all kinds of debris.
4. Remove, thoroughly lubricate and reinstall trough bearing.
5. Protect hopper from excessive temperatures during summer storage.

### Accessories

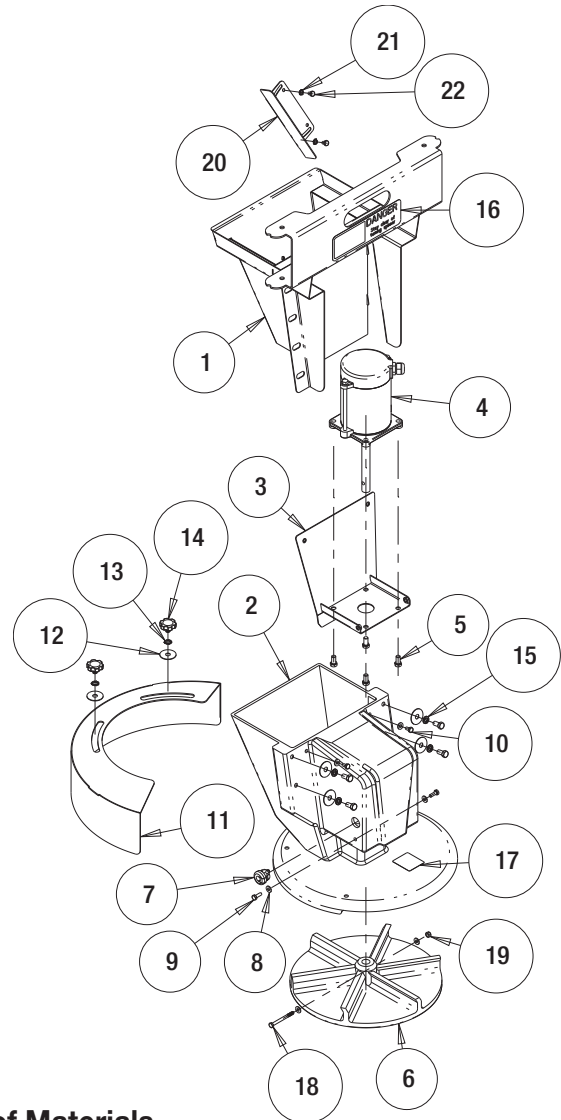
PRO3000 is supplied with tarp 3030857. To ensure proper tarp operation, attach tarp to all hopper posts as shown below. Tarp can be replaced by poly lids (kit #3047876 sold separately).



### Connector Kit Drawing



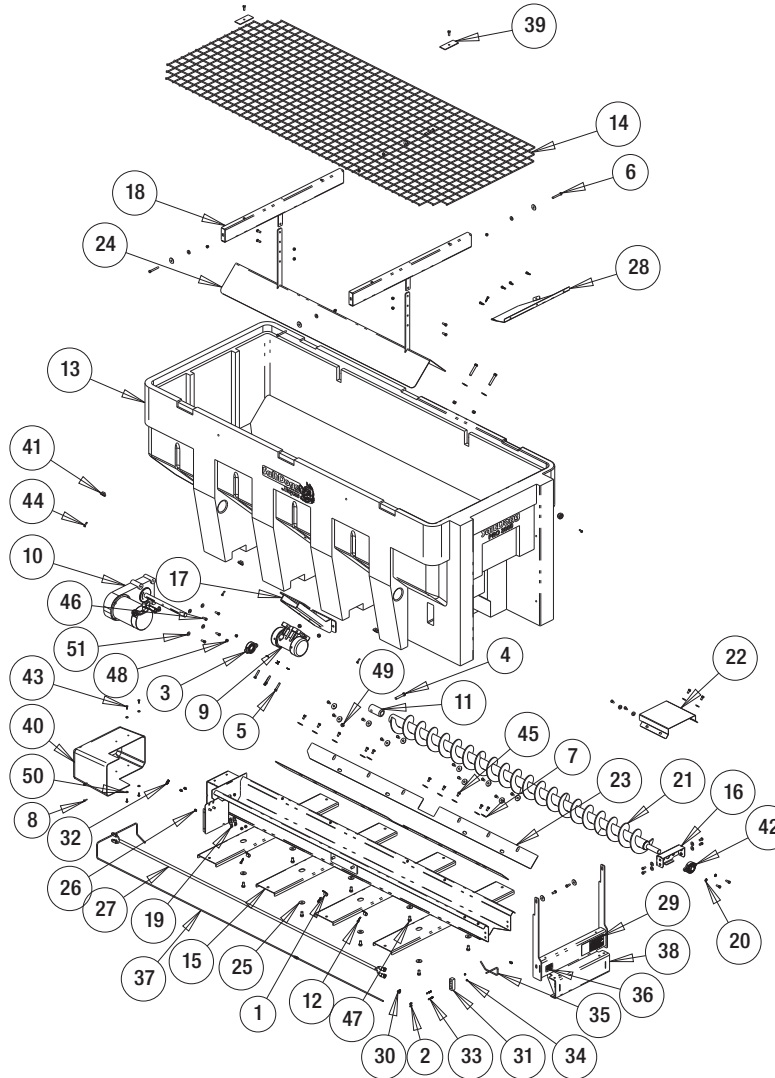
### Repair Parts - Chute Assembly



### Bill of Materials

ITEM	PART NO.	QTY.	DESCRIPTION
1	3030868	1	UPPER CHUTE WELDMENT
2	3030930	1	CHUTE OUTER, POLY
3	3030908	1	MOTOR MOUNT CHUTE
4	3030907	1	MOTOR 12 VDC, .5 HP SPINNER
5	FCS038016075SS	8	SCREW, HHC-3/8-16 X 3/4 SST
6	3012393	1	SPINNER, 14" POLY CW
7	3025065	1	BUSHING STRAIN RELIEF
8	FWF025063007SS	6	WASHER, FLAT 1/4 SAE SS
9	FCS025020075SS	2	SCREW, CAP 1/4-20 X 3/4 SST
10	3008549	2	SCREW, HEXHD CAP 1/4-20X.5 SST
11	3040557	1	SHIELD WELDMENT, PRO
12	3007115	6	WASHER, FLAT 3/8 X 1.5 X.048 SST
13	3017356	2	WASHER, EXTERNAL TOOTH LOCK 3/8 SS
14	3031755	2	PLASTIC HEAD THUMB SCREW 3/8-16X1/2 SST
15	FWL038069009SS	4	WASHER, LOCK RHS-3/8 SST
16	3007844	1	DECAL, DANGER STAY CLEAR
17	3002631	1	LABEL, "NO STEP"
18	3016761	1	1/4-20 X 2.75 BOLT, SST
19	FNE025020031SS	1	NUT, NYLON INSERT 1/4-20 SST
20	3042702	1	GUIDE, MATERIAL
21	3023463	2	WASHER, LOCK, 1/4in, SST, EXT
22	FCS025020038SS	2	SCREW, HEXHD CAP 1/4-20X3/8 SST

## Repair Parts - PRO3000 Auger Hopper Assembly

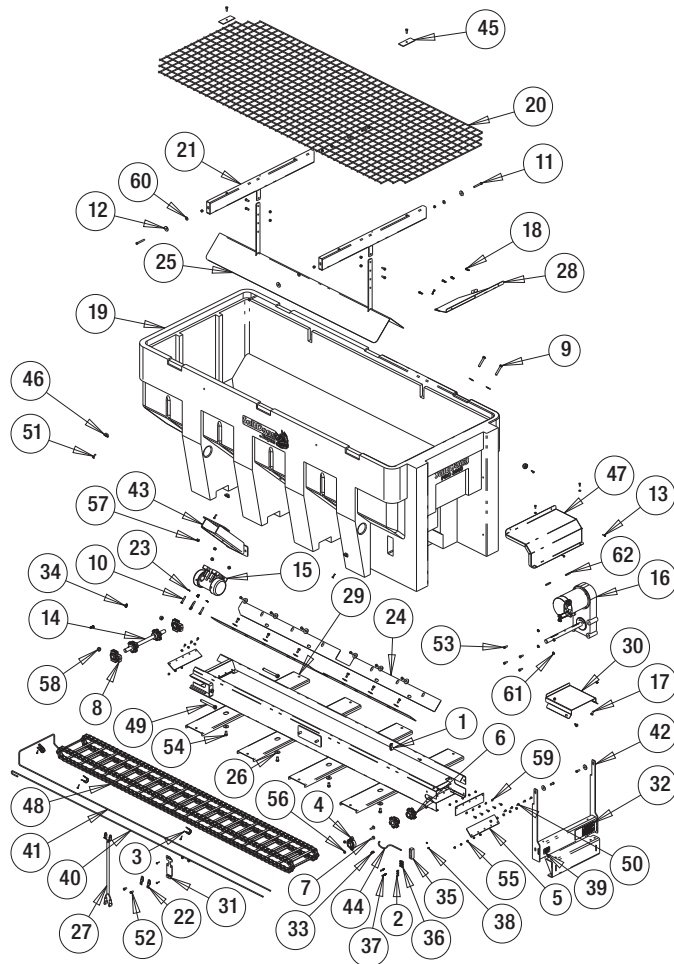


### Bill of Materials

ITEM	PART NO.	QTY.	DESCRIPTION
1	750	3	CLAMP, HOSE .750, 13/32 HOLE
2	800	2	GREASE FITTING, 1/4 STD
3	1410200	1	BEARING, FLANGED 1-1/8"
4	3001250	3	SCREW, HHC-1/2-13 X 3 SST
5	3007066	4	SCREW, HHC-3/8-16 X 2 SST
6	3007068	4	CAP SCREW, HX HD-3/8-16X3 SST
7	3007115	28	WASHER, FLAT 3/8 X 1.5 X.048 SST
8	3007522	2	SCREW, SHEET MTL #12X1.0 HEX WASHER HD SST
9	3012081	1	VIBRATOR 450 LBS, 12 VDC
10	3013821	1	GEAR MOTOR CONVEYOR 12 VDC
11	3014858	1	SLEEVE, AUGER ADAPTER
12	3015925	8	SCREW #14X1.25 SST
13	3015951	1	HOPPER POLY 3.0 CU YA
14	3015999	1	TOP SCREEN SHPE3000
15	3016165	1	TROUGH AUGER, WELDMENT
16	3016192	1	BEARING BRACKET ASSEMBLY
17	3016696	1	BRACKET, VIBRATOR WELDMENT
18	3016701	2	BRACKET WELDMENT, INVERTED VEE
19	3017121	2	BRACKET, RECEPTACLE S28 DEUTSCH
20	3017356	6	WASHER, EXTERNAL TOOTH LOCK 3/8 SS
21	3017358	1	AUGER SHPE3000
22	3017370	1	COVER, TROUGH SHPE3000
23	3017371	2	SHIELD TROUGH, SHPE3000
24	3017393	1	INVERTED VEE, SHPE300
25	3017858	10	WASHER FLAT .5 ID 1.5 OD SST
26	3017982	3	WIRE BUSHING OPEN/CLOSED HEYCO 2867

ITEM	PART NO.	QTY.	DESCRIPTION
27	3019878	1	EXTENSION WIRE HARNESS 8FT MOTOR
28	3025124	1	COVER DISCHARGE SHPE3000
29	3032591	1	DECAL, DANGER, MOVING CONVEYOR/AUGER
30	3035345	2	GREASE FITTING 1/4TUBE 1/4-28 MALE 90 DEGREES
31	3035346	1	RIGHT ANGLE JUNCTION BLOCK
32	3035347	2	GREASE FITTING 1/4TUBE 1/8 NPT STRAIGHT
33	3035357	2	SCREW SOCKET HD, RND 8-32X 1.50 SST
34	3035358	2	NUT, NYLOCK 8-32 SST, BLACK OXIDE
35	3035359	1	GREASE TUBE REAR BEARING AUGER
36	3035854	1	LABEL PATENT
37	3036052	1	GREASE HOSE FRONT PS SIDE
38	3045623	1	CHUTE ATTACHMENT
39	3045720	2	RETAINER
40	3045734	1	HOUSING, MOTOR
41	3047855	6	ANCHOR, TARP
42	9240086	1	BEARING, 1-1/4 FLANGE 2 HOLE
43	FCS025020075SS	4	SCREW, CAP 1/4-20 X 3/4 SST
44	FCS025020100SS	6	SCREW, CAP HEX HD 1/4-20 X 1 SST
45	FCS038016075SS	28	SCREW, HHC-3/8-16 X 3/4 SST
46	FCS038016100SS	16	SCREW, HHC 3/8-16 X 1 304 SST
47	FCS050013100SS	8	SCREW, HHC-1/2-13 X 1 SST
48	FNE038016044SS	12	NUT, NYLOCK 3/8-16 X 7/16 SST
49	FNE050013053SS	5	NUT, NYLOCK 1/2-13 SS
50	FWF025063007SS	4	WASHER, FLAT 1/4 SAE SS
51	FWF038100007SS	16	WASHER, FLAT 3/8 USS SST

## Repair Parts - PRO3000CH Chain Hopper Assembly

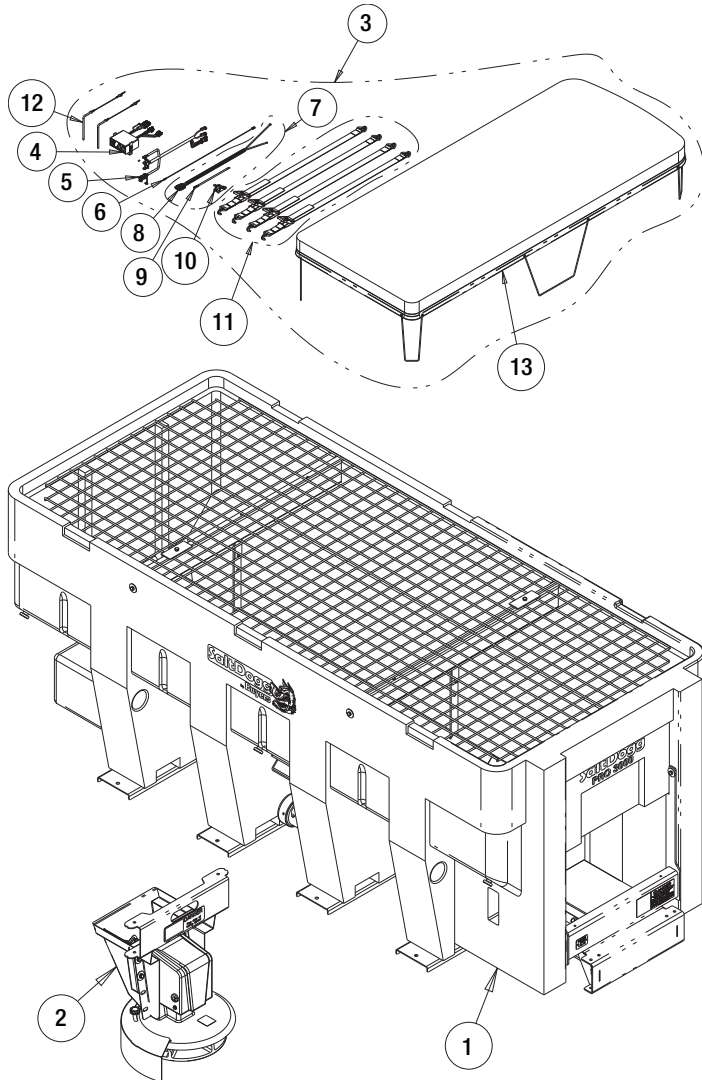


### Bill of Materials

ITEM	PART NO.	QTY.	DESCRIPTION
1	750	1	CLAMP, HOSE .750, 13/32 HOLE
2	800	3	GREASE FITTING, 1/4 STD
3	5000	3	HOSE CLAMP, .375 DIA
4	1410200	1	BEARING, FLANGED 1-1/8"
5	1410241	3	WIPER BELT, HOPPER
6	1410250	2	SPROCKET, 6 TOOTH PINTLE CHAIN
7	1410305	2	BOLT, 3/8 X 1 1/4, LOW HEAD
8	1411001	2	BEARING, IDLER TAKE UP
9	3001250	2	SCREW, HHC-1/2-13 X 3 SST
10	3007066	4	SCREW, HHC-3/8-16 X 2 SST
11	3007068	4	CAP SCREW, HX HD-3/8-16X3 SST
12	3007115	8	WASHER, FLAT 3/8 X 1.5 X.048 SST
13	3007522	8	SCREW, SHEET MTL #12X1.0 HEX WASHER HD SST
14	3008571	1	SHAFT IDLER, ASSEMBLY
15	3012081	1	VIBRATOR 450 LBS, 12 VDC
16	3013821	1	GEAR MOTOR CONVEYOR 12 VDC
17	3014960	2	BOLT, 3/8-16 X 1 CARRIAGE SHORT NECK SST
18	3015925	5	SCREW #14X1.25 SST
19	3015951	1	HOPPER POLY 3.0 CU YA
20	3015999	1	TOP SCREEN SHPE3000
21	3016701	2	BRACKET WELDMENT, INVERTED VEE
22	3017121	2	BRACKET, RECEPTACLE SZ8 DEUTSCH
23	3017356	4	WASHER, EXTERNAL TOOTH LOCK 3/8 SS
24	3017371	2	SHIELD TROUGH, SHPE3000
25	3017393	1	INVERTED VEE, SHPE3000
26	3017858	22	WASHER FLAT .5 ID 1.5 OD SST
27	3024521	1	HARNNESS,UTS,LID LONG
28	3025124	1	COVER DISCHARGE SHPE3000
29	3027301	1	TROUGH WELDMENT, CHAIN
30	3027701	1	COVER, TROUGH SHPE3000
31	3027766	1	BRACKET, CONNECTORS
32	3032591	1	DECAL, DANGER, MOVING CONVEYOR/AUGER

ITEM	PART NO.	QTY.	DESCRIPTION
33	3035344	1	GREASE FITTING 1/4TUBE 1/4-28 MALE STRAIGHT
34	3035345	2	GREASE FITTING 1/4TUBE 1/4-28 MALE 90 DEGREES
35	3035346	1	RIGHT ANGLE JUNCTION BLOCK
36	3035347	3	GREASE FITTING 1/4TUBE 1/8 NPT STRAIGHT
37	3035357	2	SCREW SOCKET HD, RND 8-32X 1.50 SST
38	3035358	2	NUT, NYLOCK 8-32 SST, BLACK OXIDE
39	3035854	1	LABEL PATENT
40	3036051	1	GREASE HOSE FRONT DR SIDE
41	3036052	1	GREASE HOSE FRONT PS SIDE
42	3045623	1	CHUTE ATTACHMENT
43	3045650	1	BRACKET, VIBRATOR WELDMENT
44	3045674	1	GREASE TUBE REAR BEARING
45	3045720	2	RETAINER
46	3047855	6	ANCHOR, TARP
47	3047891	1	COVER, REAR MOTOR, PRO3000CH
48	14011 00P	1	CHAIN ASSY D662 122 LINKS
49	141050WSS	2	BOLT, WELDED TAKE UP, SCH IDLER
50	FCS025020075SS	15	SCREW, CAP 1/4-20 X 3/4 SST
51	FCS025020100SS	6	SCREW, CAP HEX HD 1/4-20 X 1 SST
52	FCS038016075SS	2	SCREW, HHC-3/8-16 X 3/4 SST
53	FCS038016100SS	26	SCREW, HHC 3/8-16 X 1 304 SST
54	FCS050013100SS	8	SCREW, HHC-1/2-13 X 1 SST
55	FNE025020031SS	13	NUT, NYLON INSERT 1/4-20 SST
56	FNE038016044SS	14	NUT, NYLOCK 3/8-16X7/16 SST
57	FNE050013053SS	4	NUT, NYLOCK 1/2-13 SS
58	FNH063011054SS	2	NUT, HH 5/8-11 X 17/32 HIGH SST
59	FWF025063007SS	15	WASHER, FLAT 1/4 SAE SS
60	FWF038100007SS	4	WASHER, FLAT 3/8 USS SST
61	FWL038069009SS	4	WASHER, LOCK RHS-3/8 SST
62	KS402	2	KEY, 1/4 X 1/4X2

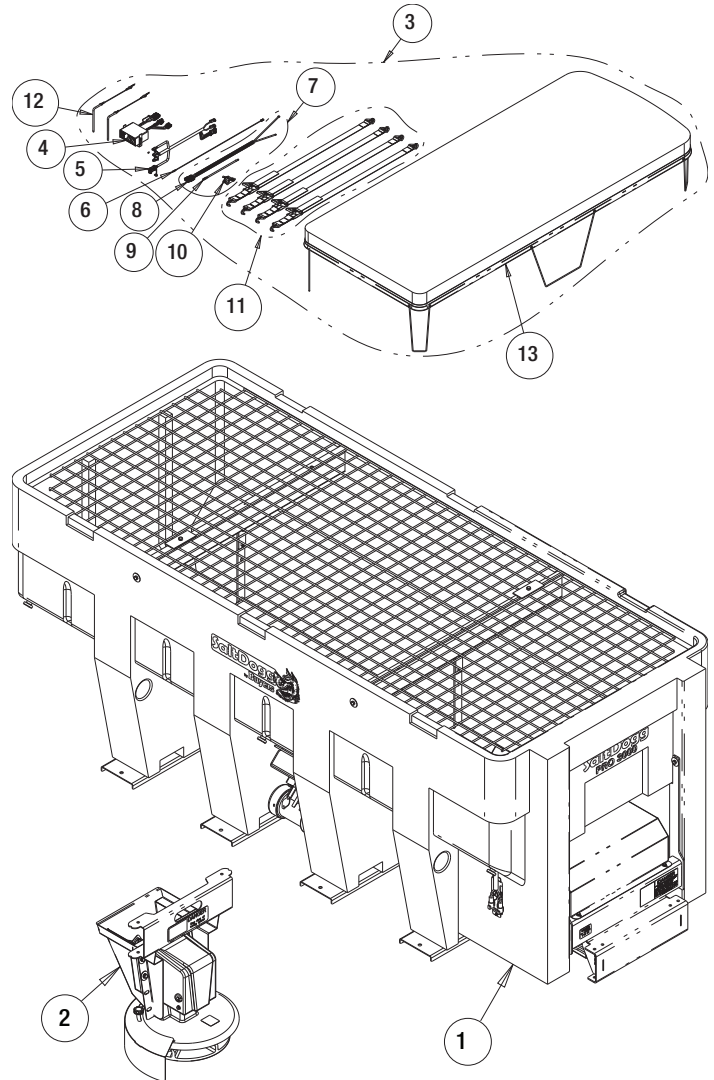
### Repair Parts - PRO3000 Spreader



#### Bill of Materials

ITEM	PART NO.	QTY.	DESCRIPTION
1	3045622	1	HOPPER AUGER ASSEMBLY PRO3000
2	3031475	1	CHUTE SWING ADJ
3	3045998	1	HARDWARE KIT PRO3000/3000CH
4	3016934	1	CONTROLLER SPEED 12 VDC, 60 AMP
5	3030628	1	WIRE HARNESS MAIN
6	0203700	1	WIRE ASSEMBLY, 36 LONG
7	3035938	1	KIT POWER CABLE REPLACES 3016943
8	3035935	1	POWER CORD
9	3001379	1	CABLE, SCH BATTERY 14 IN. (RED)
10	CB150PB	1	BREAKER, 150 AMP.
11	1496505	1	HOLD DOWN KIT, SPREADER (4 STRAPS)
12	3033174	2	PIN, CHUTE ATTACHMENT
13	3030857	1	TARP PRO2500 & PRO3000

### Repair Parts - PRO3000CH Spreader



#### Bill of Materials

ITEM	PART NO.	QTY.	DESCRIPTION
1	3045634	1	HOPPER, CHAIN ASSEMBLY PRO3000CH
2	3031475	1	CHUTE SWING ADJ
3	3045998	1	HARDWARE KIT PRO3000/3000CH
4	3016934	1	CONTROLLER SPEED 12 VDC, 60 AMP
5	3030628	1	WIRE HARNESS MAIN
6	0203700	1	WIRE ASSEMBLY, 36 LONG
7	3035938	1	KIT POWER CABLE REPLACES 3016943
8	3035935	1	POWER CORD
9	3001379	1	CABLE, SCH BATTERY 14 IN. (RED)
10	CB150PB	1	BREAKER, 150 AMP.
11	1496505	1	HOLD DOWN KIT, SPREADER (4 STRAPS)
12	3033174	2	PIN, CHUTE ATTACHMENT
13	3030857	1	TARP PRO2500 & PRO3000

### PRO3000 SPREADER WARRANTY INFORMATION

This warranty replaces all previous warranties and no employee of this company is authorized to extend additional warranties, or agreements, or implications not explicitly covered herein. Buyers Products Company warrants all parts of the product to be free from defects in material and workmanship for a period of two (2) years. Parts must be properly installed and used under normal conditions. Normal wear is excluded. Any part, which has been altered, including modifications, misuse, accident, or lack of maintenance will not be considered under this warranty. The sole responsibility of Buyers Products Company under this warranty is limited to repairing or replacing any part(s), which are returned, prepaid, 30 days after such defect is discovered, and returned part(s) are found to be defective by Buyers Products Company. Authorization from Buyers Products Company must be obtained before returning any part. The following information must accompany defective parts returned to Buyers Products Company: RMA #, spreader model, serial number, date installed, and distributor from whom purchased. Buyers Products Company shall not be liable for damage arising out of failure of any unit to operate properly, or failure, or delay in work, or for any consequential damages. No charges for transportation or labor performed on any part will be allowed under this warranty.