

Installation Instructions

16021760 VUT V-Plow Shoe Kit

1. Remove the first two carriage bolts and nuts from the outside of each plow blade (driver's side and passenger's side).
2. Place the bracket weldments (1,2) as shown and align holes. (See Fig. 1)
3. Bolt the outside of the bracket weldment to the front of the trip angle with the 1/2-13 x 2" carriage bolts (6) and lock nuts (5) supplied.
4. Bolt the inside of the bracket weldment to the top of the trip angle with the 1/2-13 x 1" carriage bolt (4) and lock nut (5) supplied.
5. Assemble & adjust plow shoe assy. as shown. (See Fig. 2)

Fig. 1

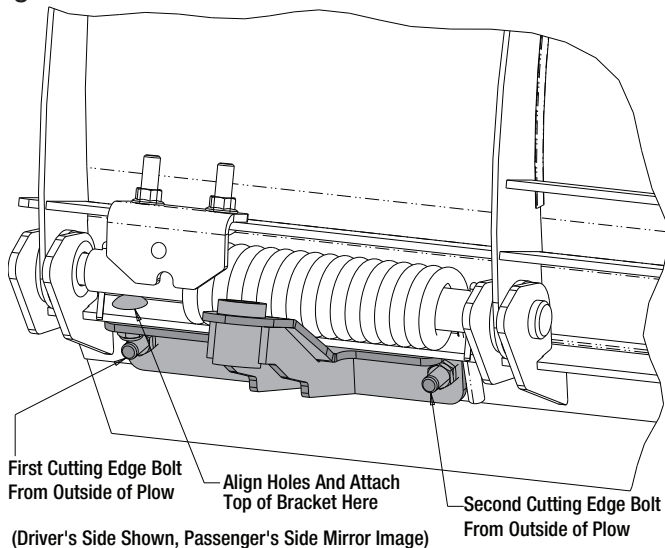
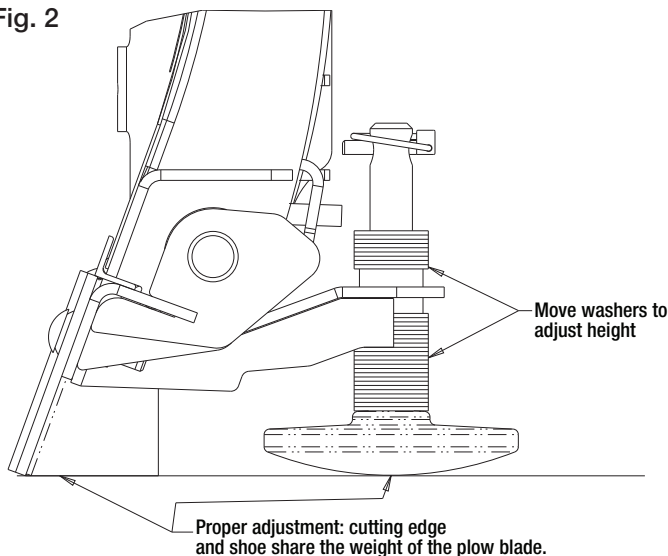
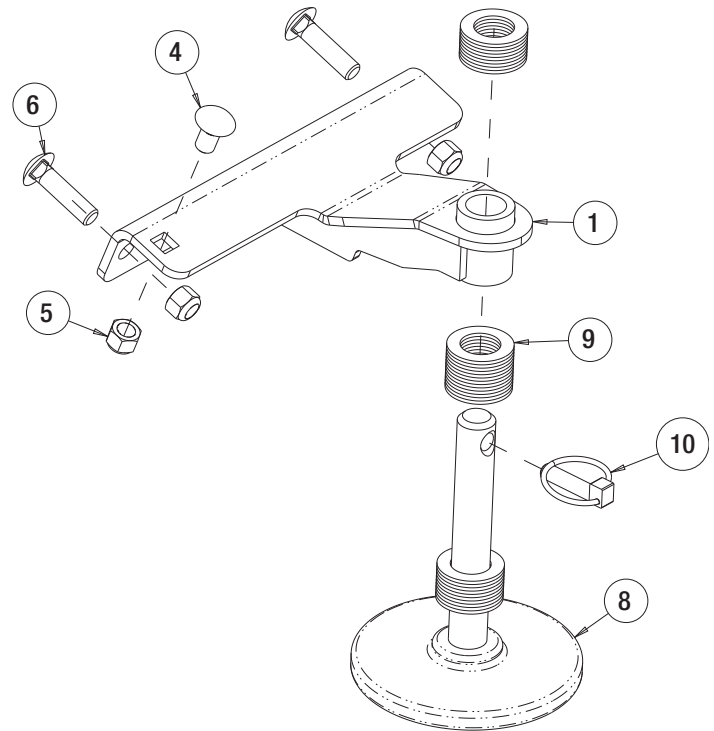


Fig. 2



Bill of Materials



ITEM	PART NO.	QTY.	DESCRIPTION
1	3032979	1	BRACKET WELDMENT, VUT SHOE, DS
2	3032980	1	BRACKET WELDMENT, VUT SHOE, PS
3	16021760HDW	1	HARDWARE BAG, VUT SHOE KIT
4	-	1	BOLT, CARRIAGE-1/2-13 X 1 GR 5 Z
5	-	3	NUT, NYLOCK, 1/2-13, GR A, ZN
6	-	2	BOLT, CARRIAGE, 1/2-13 X 2, GR5, ZN, FULL THD
7	16121350	2	SHOE ASSEMBLY, LIGHT DUTY, LESS LABEL
8	-	2	SHOE, LD PLOW
9	16121120	46	WASHER, FLAT 1.06X1.75X.1 ZY
10	16121140	2	PIN, 7/16 X 1-3/4 LYNCH, YELLOW ZN

Warranty

Buyers Products Co. warrants all truck/trailer hardware manufactured or distributed by it, to be free from defects in material and workmanship for a period of one year from date of shipment. Parts must be properly installed and used under normal conditions. Any product which has been altered, including modification, misuse, accident or lack of maintenance will not be considered under warranty. Normal wear is excluded. The sole responsibility of Buyers Products Co. under this warranty is limited to repairing or replacing any part or parts which are returned, prepaid, and are found to be defective by Buyers Products Co. Authorization from Buyers Products Co. must be obtained before returning any part. No charges for transportation or labor performed on Buyers' products will be allowed under this warranty.