

Installation Instructions

Universal Camlock Instructions

1. All camlock boxes are shipped with the handle oriented for driver side installation as shown below in figure 1. The camlock latch hasp is installed in position "A" for this orientation, see figure 2.

- A.** To install the box on the driver side of the vehicle
- i.** Remove both fasteners from latch hasp to remove hasp and gasket.
 - ii.** Clean the surface behind hasp for proper gasket adhesion.
 - iii.** Remove adhesive backing on gasket and reinstall gasket and latch hasp onto box in the position "A" holes. Tighten the latch hasp bolts to 11 ft-lbs.

- B.** To install the box on the passenger side of the vehicle
- i.** Flip box over so handle is orientated to the rear of the vehicle. (**Note: positions "A" and "B" will be flipped when flipping the box**)
 - ii.** Remove both fasteners from latch hasp to remove hasp and gasket.
 - iii.** Clean the surface behind hasp for proper gasket adhesion.
 - iv.** Remove adhesive backing on gasket and reinstall gasket and latch hasp onto box in the position "B" holes. Tighten the latch hasp bolts to 11 ft-lbs.

2. Mount toolbox per toolbox mounting instructions provided.

WARNING

Failure to tighten latch hasp properly could result in the latch hasp falling off and doors opening while the vehicle is moving and cause personal injury and/or property damage.

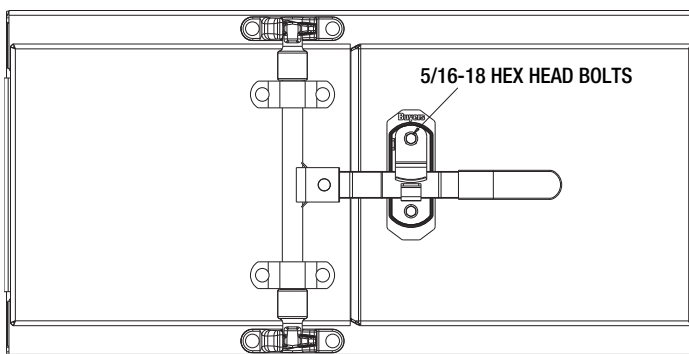


FIGURE 1: DRIVER SIDE INSTALLATION

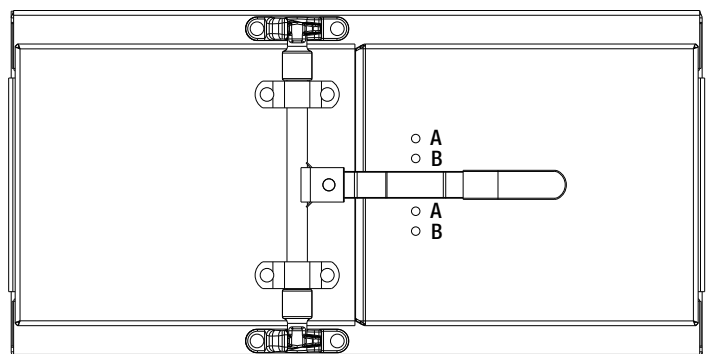


FIGURE 2: UNIVERSAL CAMLOCK ORIENTATION SCHEMATIC

WARRANTY

Buyers Products Co. warrants all truck/trailer hardware manufactured or distributed by it, to be free from defects in material and workmanship for a period of one year from date of shipment. Parts must be properly installed and used under normal conditions. Any product which has been altered, including modification, misuse, accident or lack of maintenance will not be considered under warranty. Normal wear is excluded. The sole responsibility of Buyers Products Co. under this warranty is limited to repairing or replacing any part or parts which are returned, prepaid, and are found to be defective by Buyers Products Co. Authorization from Buyers Products Co. must be obtained before returning any part. No charges for transportation or labor performed on Buyers' products will be allowed under this warranty.