

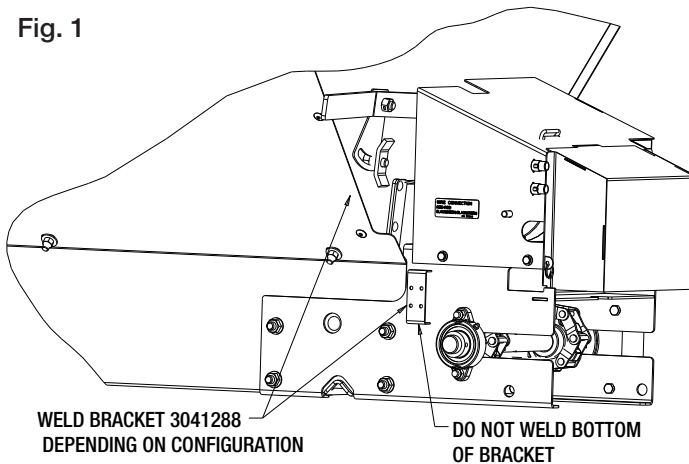
# Installation Instructions

## 3063162 Remote Grease Kit for Pick-up Truck/UTV V-Box Spreader

**NOTE:** Do a rough layout of the hoses and fittings during the next few steps. Do not drill any holes or make any final connections until determining where all hoses and fittings will be installed. Components are provided for 2 hose installations, but it is not necessary to install both.

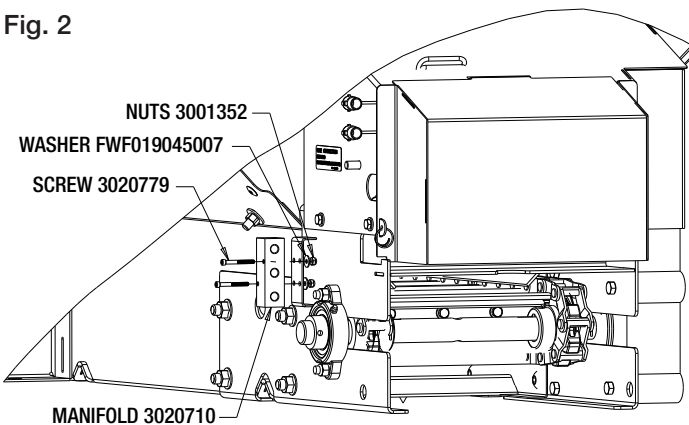
**1.** Weld the manifold bracket (item 1) to spreader as shown in Fig. 1. Adjust the placement based on your spreader configuration/fastener placement.

Fig. 1



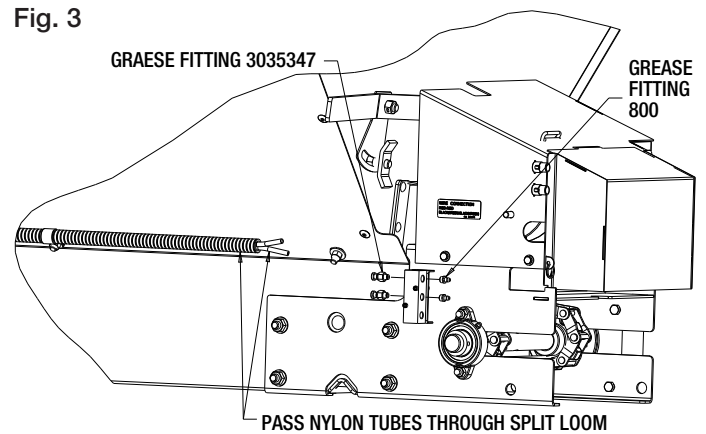
**2.** Mount the aluminum manifold (item 2) to the bracket using the two #8 socket screws (item 3), washers (item 5), and nylock nuts (item 4) as shown in Fig. 2.

Fig. 2



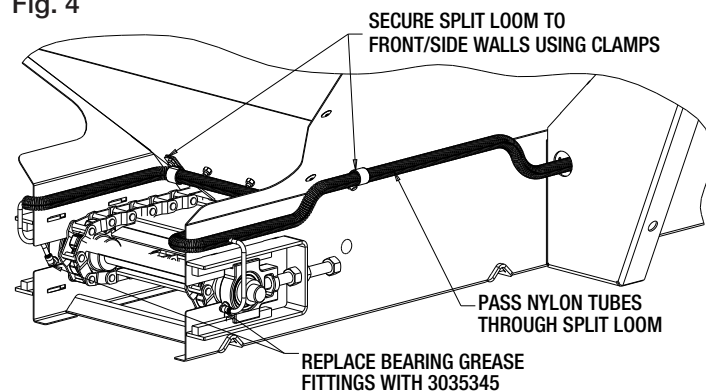
**3.** Install two zerk fittings (item 6) and two NPT-to-1/8" tube grease fittings (item 7) to the manifold as shown in Fig. 3.

Fig. 3



**4.** Locate the current grease fittings on the idler bearings, then remove and replace them with the 90° swivel NPT-to-1/4" tube fittings (item 8) as shown in Fig. 4. Tighten properly.

Fig. 4

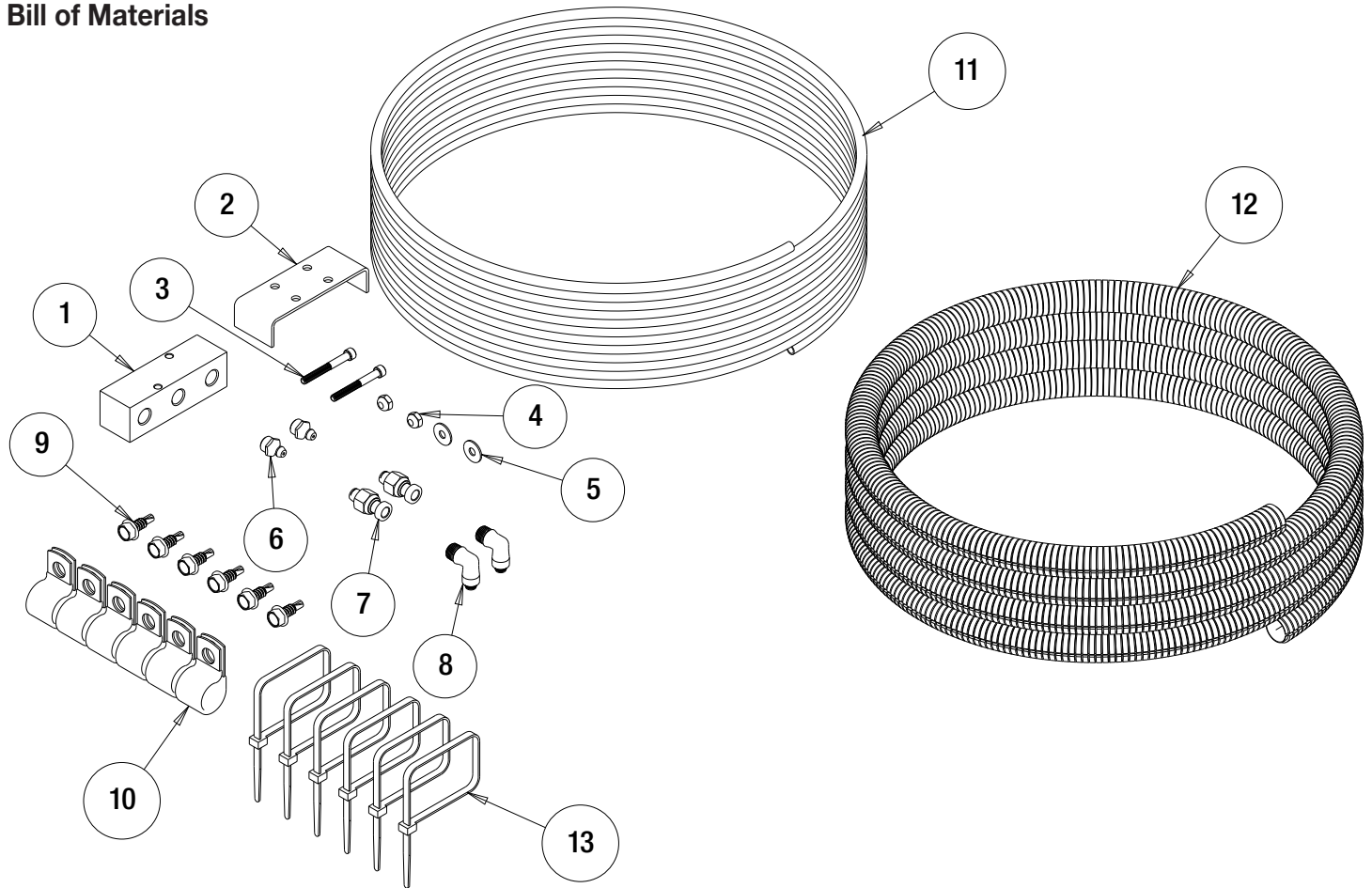


**5.** Measure and cut the necessary length of nylon tubing (item 11) to reach from take-up bearings to the manifold fittings. Measure and cut the necessary length of the split loom (item 12) to route both tubes.

**6.** Pass the hoses through the split loom, then route the loom along the side of the spreader through openings inside the gussets. Secure the tubes in the split loom using nylon zip ties (item 13). Connect grease tubing to manifold and bearing fittings as shown in Fig. 3. and Fig. 4.

**7.** Secure hoses in place using the provided clamps (item 10) as shown in Fig. 3 and Fig. 4. Self-drilling/ tapping 1/4" screws are provided (item 9) for easy installation if no existing mounting holes are present. If this kit is being installed on a stainless-steel spreader, mark and pre-drill 7/32" holes in the desired clamp locations to accommodate the provided screws.

## Bill of Materials



## Bill of Materials

ITEM	PART NO.	QTY.	DESCRIPTION
1	3020710	1	MANIFOLD, 3 PORT, ALUMINUM
2	3041288	1	BRACKET, MANIFOLD
3	3020779	2	SCREW, SOCKET HD CAP, #8-32 X 1-1/2IN, BLK OXIDE
4	3001352	2	NUT, HEX NYLOCK, #8-32 ZINC
5	FWF019045007	2	WASHER, FLAT, #8, ZINC
6	800	2	GREASE FITTING, 1/8IN MNPT, STRAIGHT
7	3035347	2	GREASE FITTING, 1/4 TUBE X 1/8 MNPT
8	3035345	2	GREASE FITTING, 1/4 TUBE X 1/4-28 MALE, 90° SWIVEL
9	3041082	6	SCREW, SELF DRILL HEX, 1/4-14 X 3/4IN, SST
10	750	6	CLAMP, HOSE, 3/4IN ID, 13/32 HOLE
11	3037782	1	GREASE TUBE, NYLON, BLACK, 1/4IN OD X 36FT
12	3048961	1	SPLIT LOOM, 5/8IN ID, 14FT LONG, BLACK
13	3048965	6	NYLON TIE, 11IN LONG, BLACK

### WARRANTY

Buyers Products Co. warrants all truck/trailer hardware manufactured or distributed by it, to be free from defects in material and workmanship for a period of one year from date of shipment. Parts must be properly installed and used under normal conditions. Any product which has been altered, including modification, misuse, accident or lack of maintenance will not be considered under warranty. Normal wear is excluded. The sole responsibility of Buyers Products Co. under this warranty is limited to repairing or replacing any part or parts which are returned, prepaid, and are found to be defective by Buyers Products Co. Authorization from Buyers Products Co. must be obtained before returning any part. No charges for transportation or labor performed on Buyers' products will be allowed under this warranty.