

# Installation Instructions

## 5562112 Suspension Leveling Kit, GM 1500 2007+

### **⚠ WARNING**

This product should be installed by a professional mechanic.

Modifying the suspension of this vehicle will alter the steering, braking and handling from factory condition. This will result in the vehicle reacting differently under driving conditions which may occur. Avoid sharp turns, rapid stops, and any other actions or driving conditions that could result in a loss of control and accident, resulting in serious injury or death to driver and occupants.

A wheel alignment must be done after installation of this product to ensure proper steering and suspension performance.

*Read all instructions prior to installation to ensure that you have all materials and tools required.*

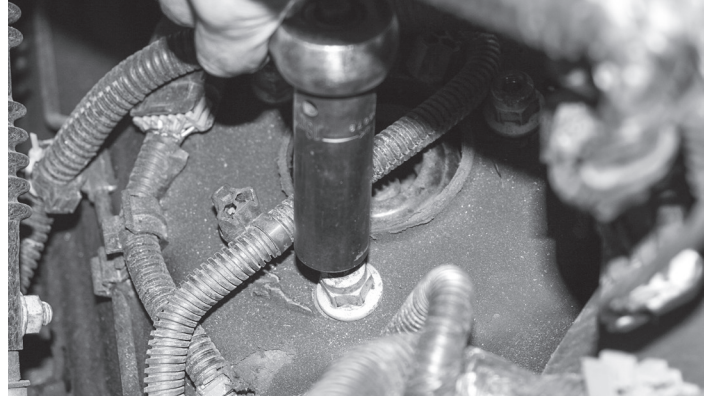
1. Raise vehicle and remove front wheels
2. Disconnect the sway bar link



3. Disconnect the ABS line from upper control arm/knuckle



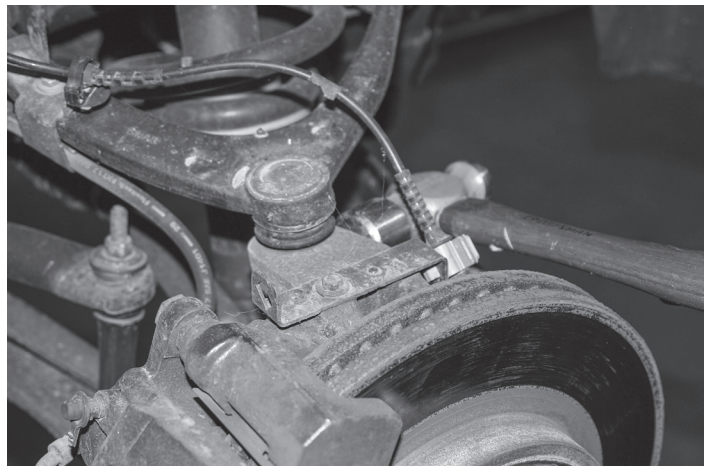
4. Remove and set aside for later reinstallation:
  - a. Upper strut tower nuts



- b. Lower strut bolts.



- c. Upper ball joint nut – it may be separated by striking on the side with a mallet or hammer

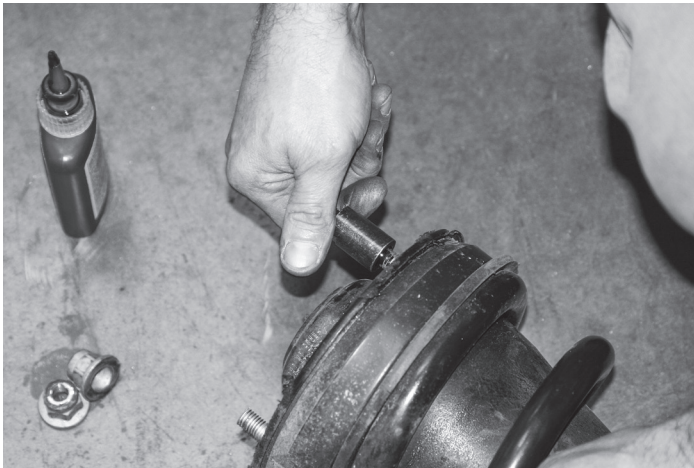


5. Remove the strut

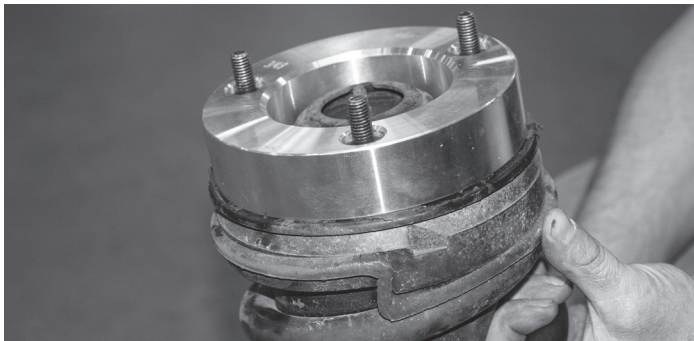
6. Cut the strut bolts to 5/8" length to allow the stud extender to screw down to the bottom of the stud.



7. Apply thread lock and install the stud extenders.



8. Install the lift spacer.



9. Install the lower bolts first & tighten to 39 ft-lbs.

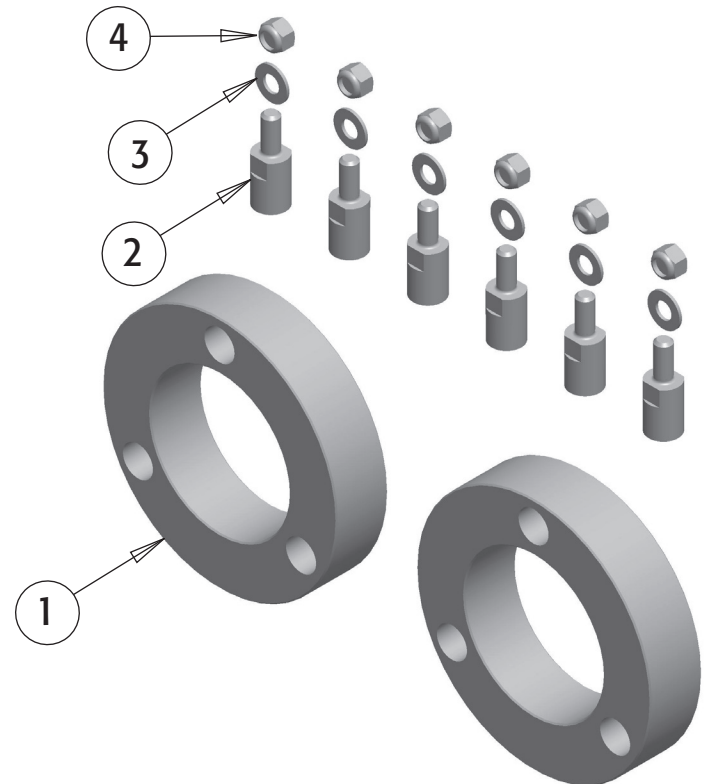
10. Install the upper portion of the strut using lock nuts and tighten to 22 ft-lbs.

11. Reinstall the lower ball joint, sway bar, & ABS lines.

12. Repeat for the other side of the vehicle.

**NOTE: A wheel alignment must be done after installation of this product. All fasteners must be checked and retorqued after 5 hours of use.**

### Bill of Materials



ITEM	PART NO.	QTY.	DESCRIPTION
1	3022113	2	Spacer, GM 1500
2	3022275	6	Extender, Stud
3	FWF038081006	6	Washer, Flat 3/8 SAE, ZN
4	3023590	6	Nut, Nylock M10-1.5, ZN
-	-	1	Sealer, Loctite 27105 Kit

### WARRANTY

Buyers Products Co. warrants all truck/trailer hardware manufactured or distributed by it, to be free from defects in material and workmanship for a period of one year from date of shipment. Parts must be properly installed and used under normal conditions. Any product which has been altered, including modification, misuse, accident or lack of maintenance will not be considered under warranty. Normal wear is excluded. The sole responsibility of Buyers Products Co. under this warranty is limited to repairing or replacing any part or parts which are returned, prepaid, and are found to be defective by Buyers Products Co. Authorization from Buyers Products Co. must be obtained before returning any part. No charges for transportation or labor performed on Buyers' products will be allowed under this warranty.